



Introducing the new range of

# SPLENDID™

The most functional and strongly-built aluminum profiles Triline® has ever created.



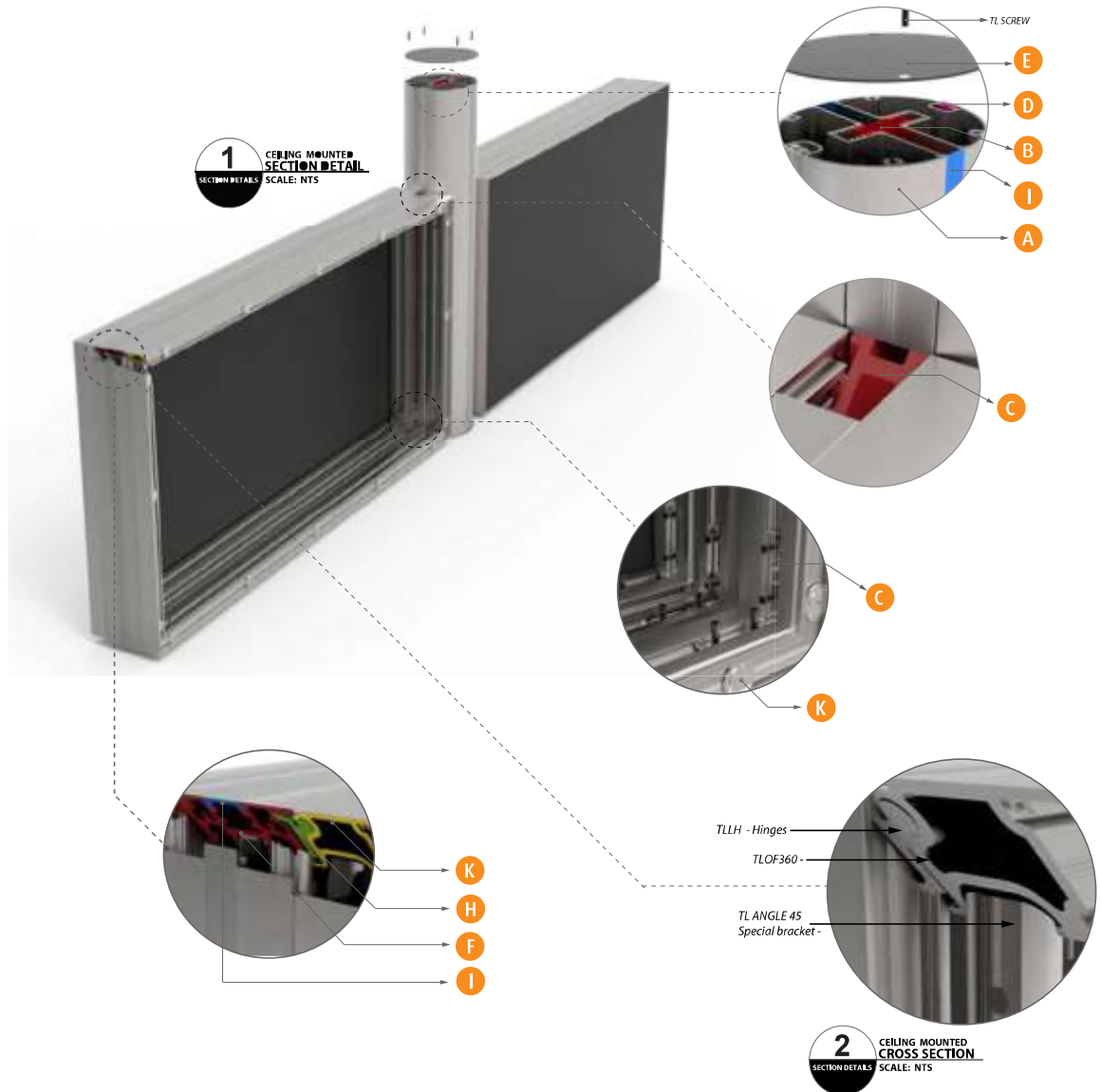
## Ceiling Mounted System

Discover an amazing quality of multiple options of creating a new level of products that adapts to an ever-changing evolution of technology.

Splendid - the new line of Triline modular wayfinding system are specifically designed to be more modular and flexible - high-end electronically compatible wayfinding solution.

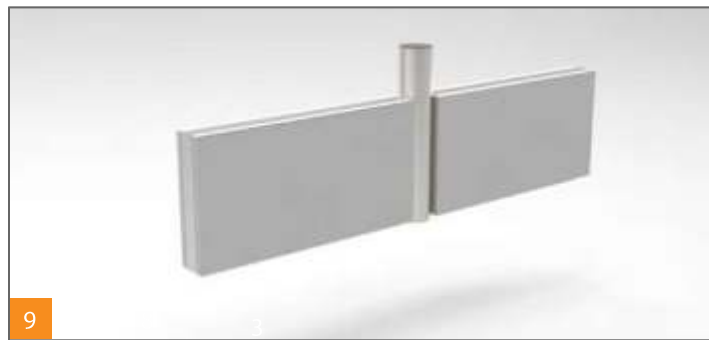


COMPONENTS	
A	TLPHR120-S
B	TLLA40-S
C	TLLA25-S
D	TLOPV-S
E	TLBHR120-COV
F	TLBT60-S
G	TLL360-S
H	TLLH-S
I	TLBTC-S
J	TL ANGLE 45
K	TLRMAGNET
L	TLSCR2-S



CEILING MOUNTED SIGN

Assembly and Section Details



**■ APPLICATIONS**

- \* VINYL LETTERING
- \* DIGITAL PRINTING
- \* ENGRAVING
- \* BRAILLE TEXT
- \* SCREEN PRINTING
- \* LIGHTED BOX SIGN

**■ MOUNTING POSSIBILITIES**

- \* With screws and plug for mount to ceiling etc.

**■ SECTION DETAILS**

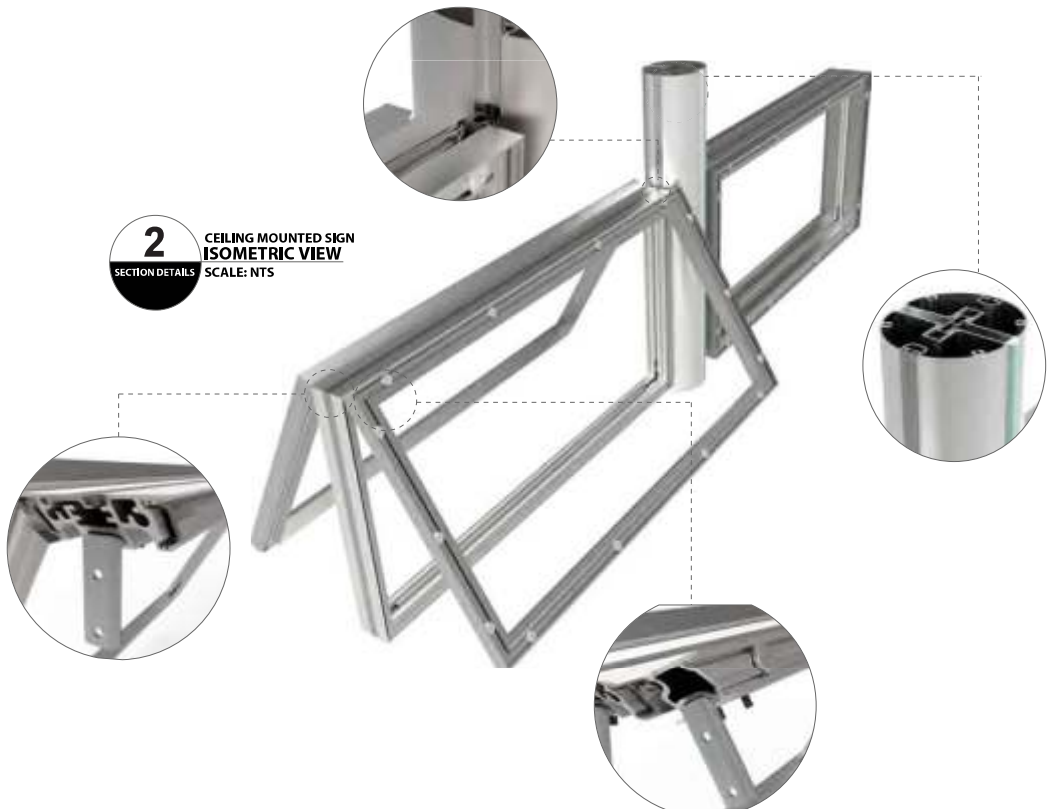
Basic Colors:

- Silver
- Gray

\* PROFILES have standard length of 3500 -4500mm

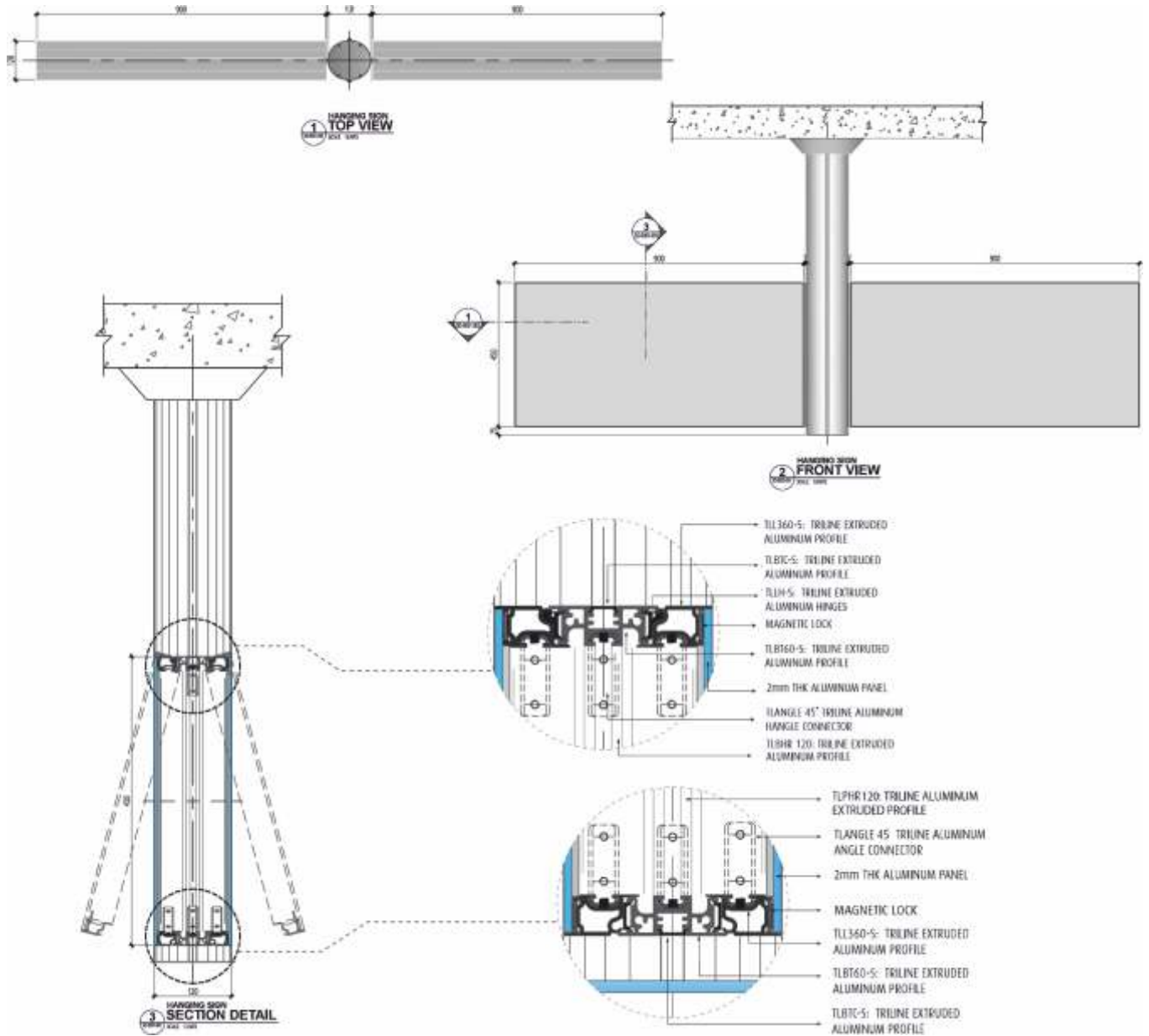
\* Standard Finish:

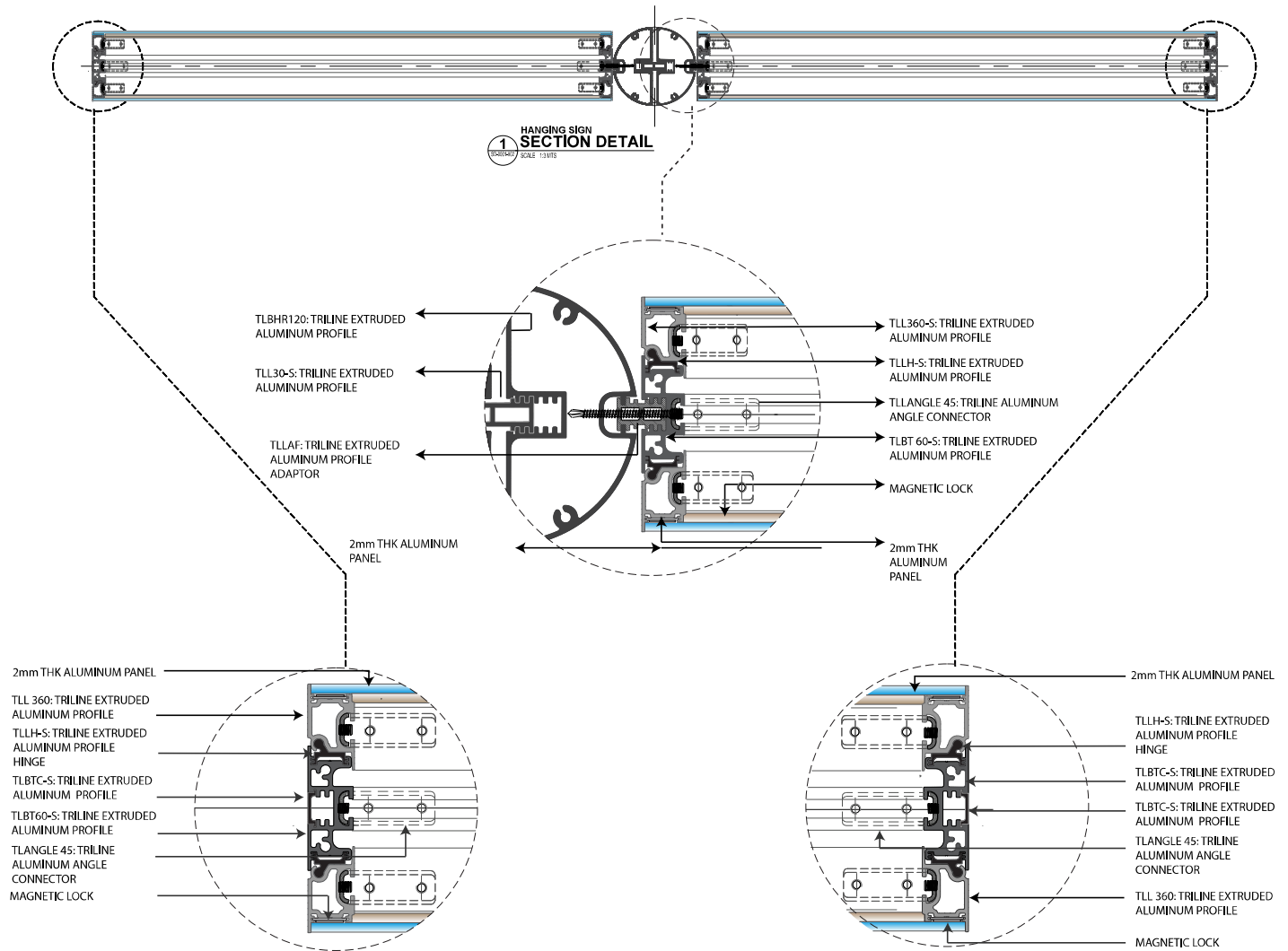
- Mill
- Silver Anodized



**2** CEILING MOUNTED SIGN  
SECTION DETAILS ISOMETRIC VIEW  
SCALE: NTS

# Technical Details










## Recto-Verso Hanging System

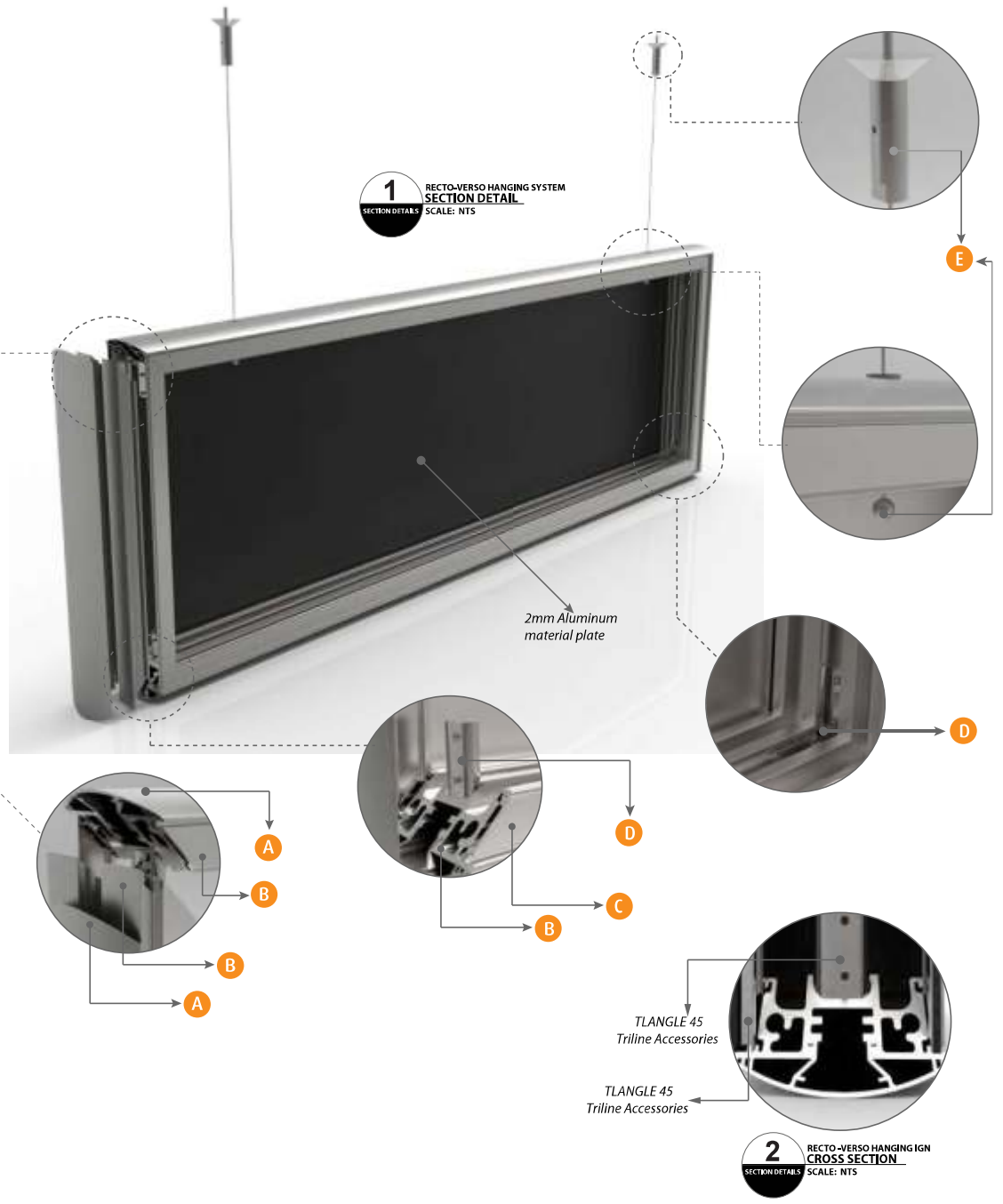
Small space interior is one of the aspect that Triline considered to give you an effective wayfinding solution without damaging the aesthetic of the design.

With this innovation, you can create a wayfinding and identification that provided assistance in a less spacious area.



**COMPONENTS**

- A**  **TLPHR120-S**
- B**  **TLBT40-S**
- C**  **TLBTC-S**
- D**  **TLANGLE 45**
- E**  **TLOPH (Suspension Set)**



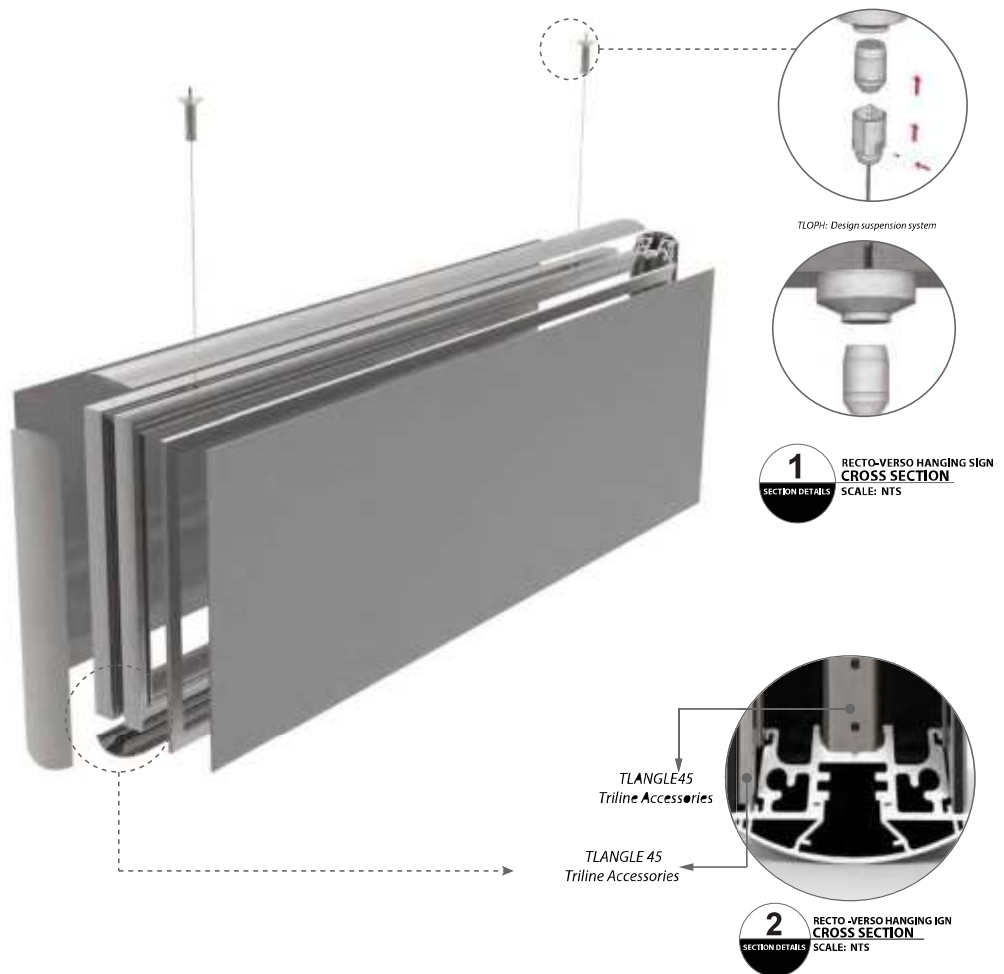
# RECTO-VERSO HANGING SIGN

## Assembly and Section Details

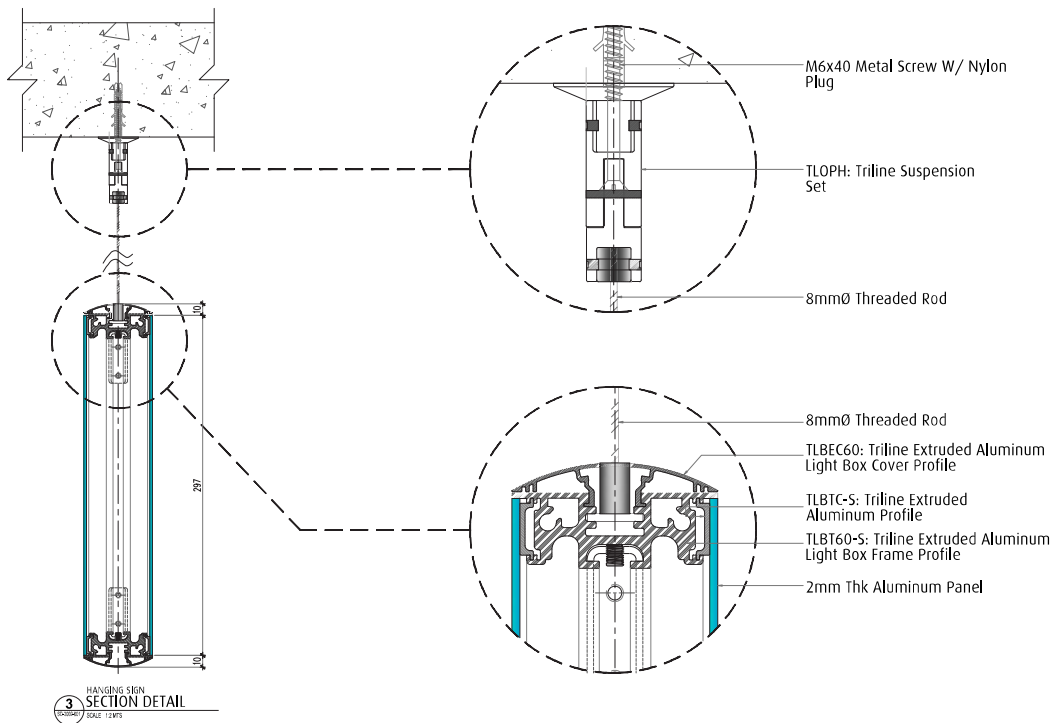
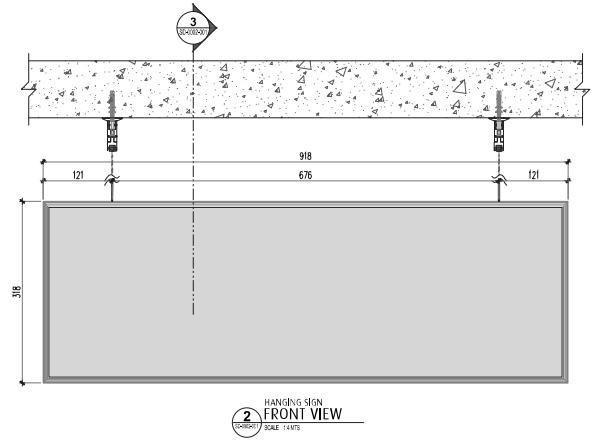
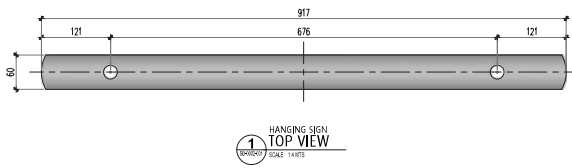


- APPLICATIONS
- \* VINYL LETTERING
- \* DIGITAL PRINTING
- \* ENGRAVING
- \* BRAILLE TEXT
- \* SCREEN PRINTING
- \* LIGHTED BOX SIGN
- MOUNTING POSSIBILITIES
- \* With screws and plug for mount to ceiling etc.

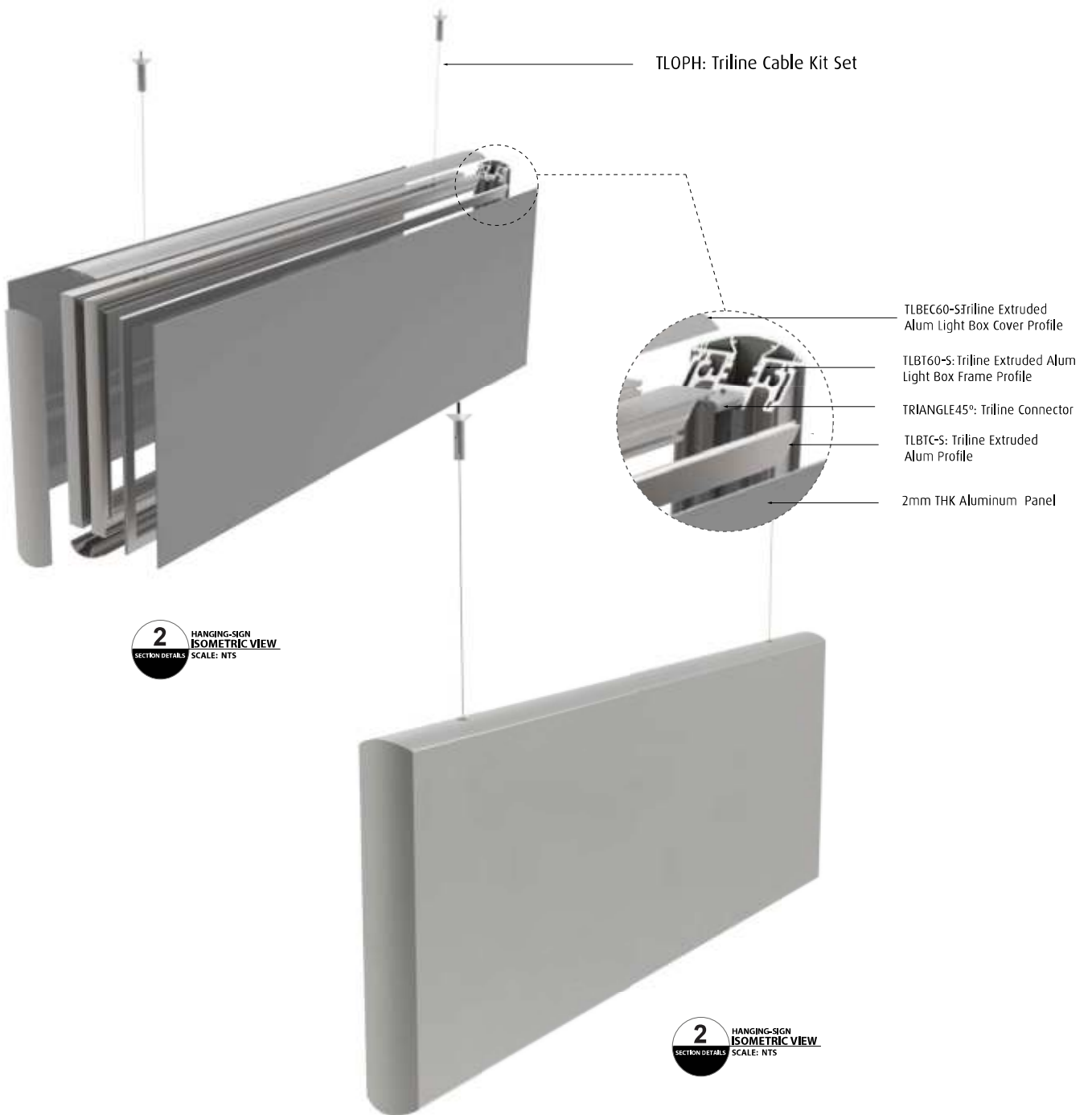
- SECTION DETAILS
- \* TLOPH Triline Suspension  
basic colors:  
- Silver  
- Gray
- \* PROFILES have standard  
length of 3500 -4500mm
- \* Standard Finish:  
- Mill  
- Silver Anodized



# Technical Details

















## Single Post Street Sign

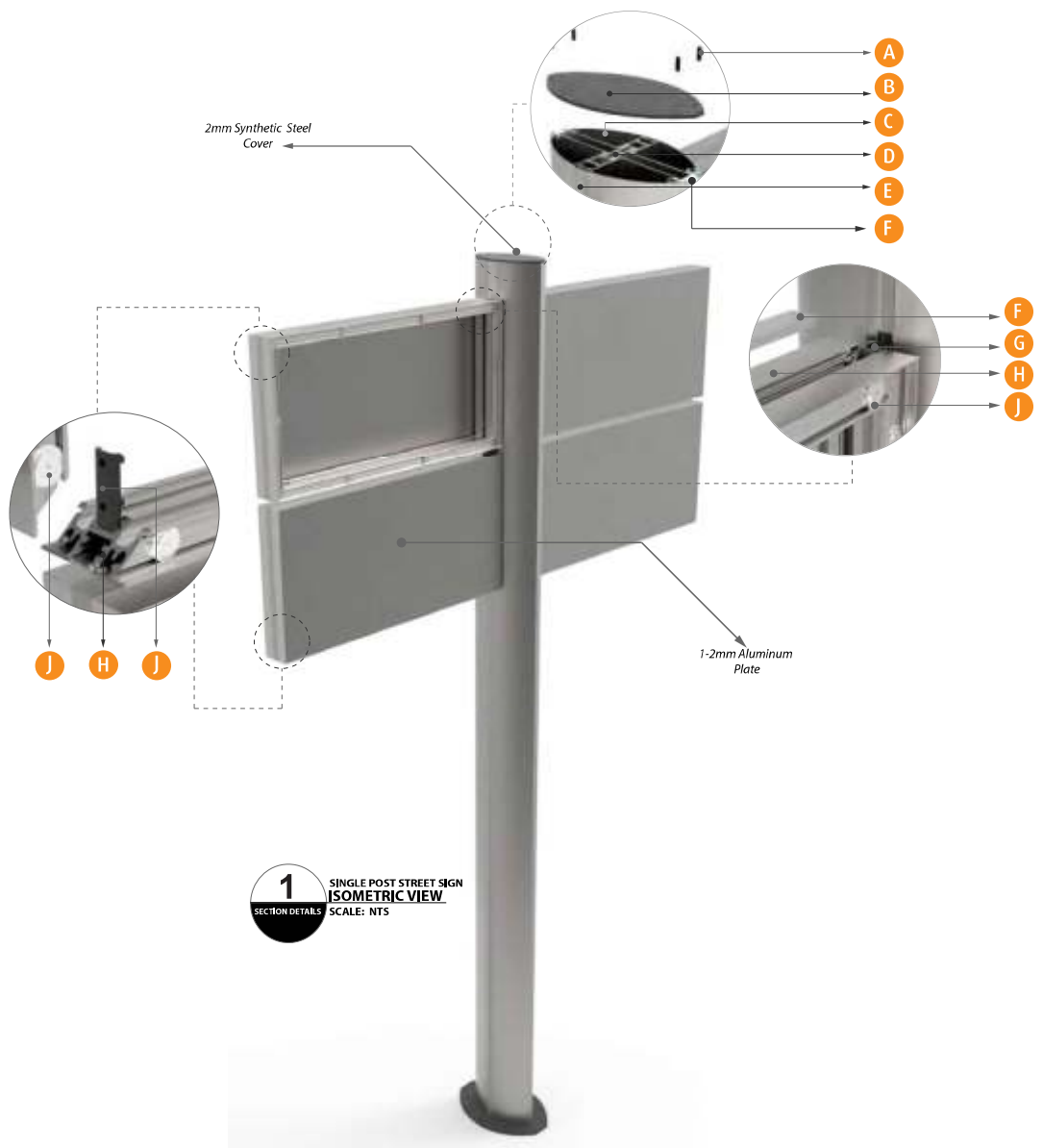
A modern and creative approach without compromising its purpose of effective way-showing. Totem Multipurpose can be used to a full city way finding system.

This profile system is always open for add-ons, giving you a choice of customizing your signs to blend to the city or company's branding.



**COMPONENTS**

- A**  TLSCR5-S
- B**  TLPHE180-COV
- C**  TLPHE180-S
- D**  TLLA40-S
- E**  TLOPV-S
- F**  TLBTC-S
- G**  TLLAF25-S
- H**  TLBT60-S
- I**  TLANGLE45
- J**  TLRMAGNET



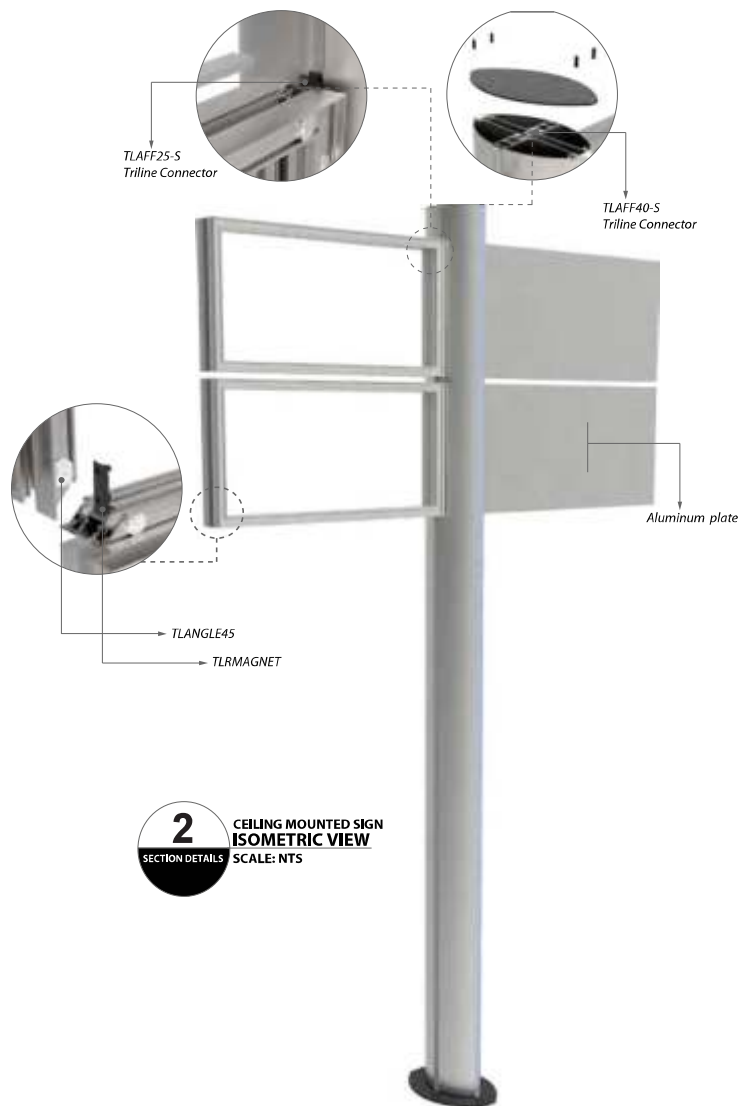
**SINGLE POST DIRECTORY SIGN**

**Assembly and Section Details**



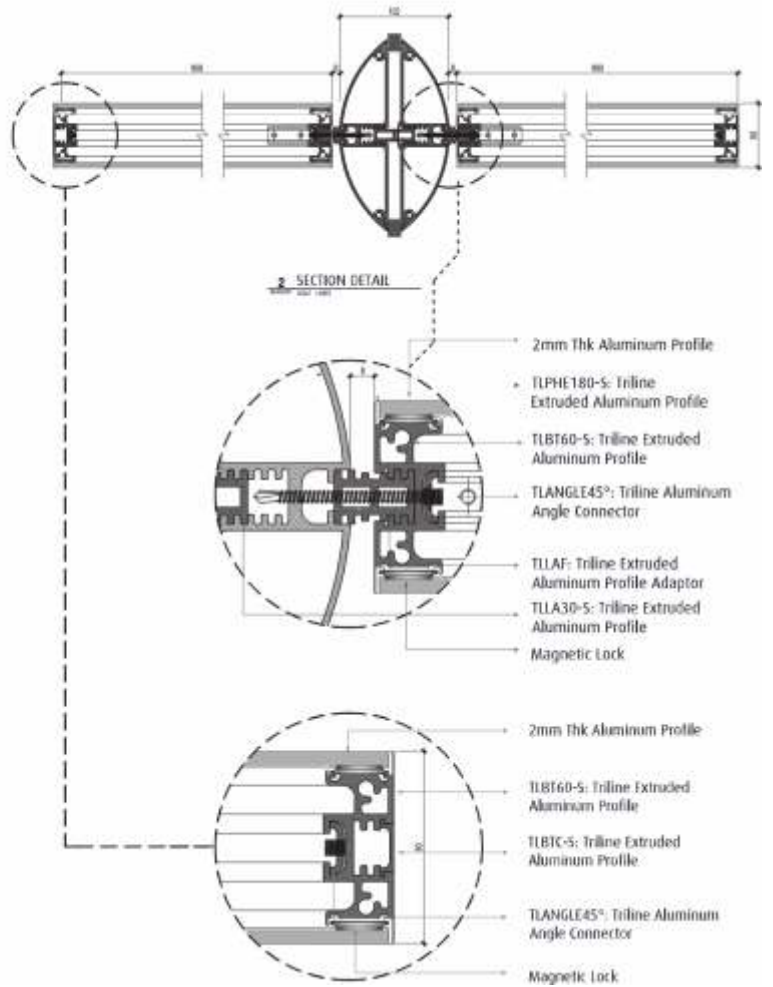
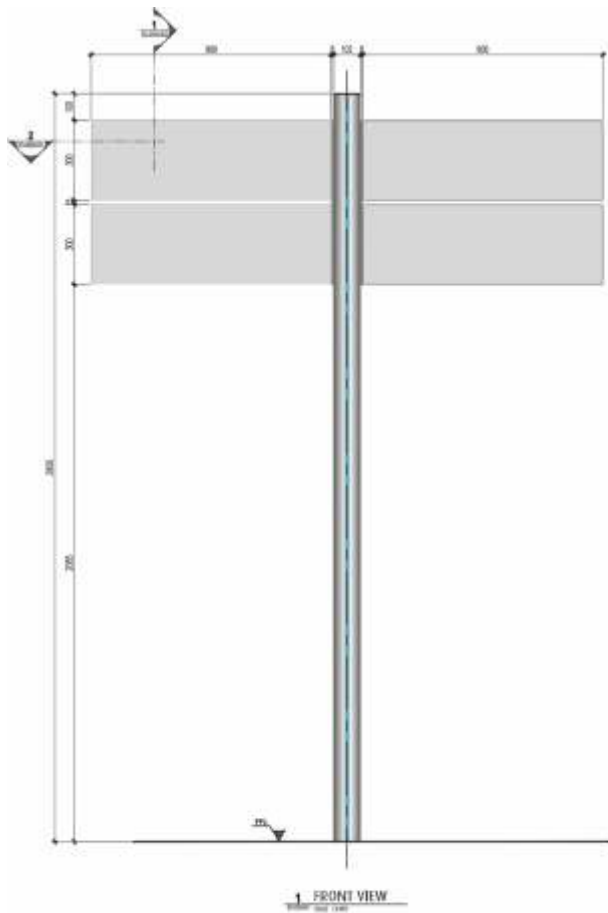
■ APPLICATIONS
* VINYL LETTERING
* DIGITAL PRINTING
* ENGRAVING
* SCREEN PRINTING
* LIGHTED BOX SIGN
■ MOUNTING POSSIBILITIES
* With screws and metal base for external signs
Directional.
■ MOUNTING POSSIBILITIES
* Available Colors:
* Grey
* Silver

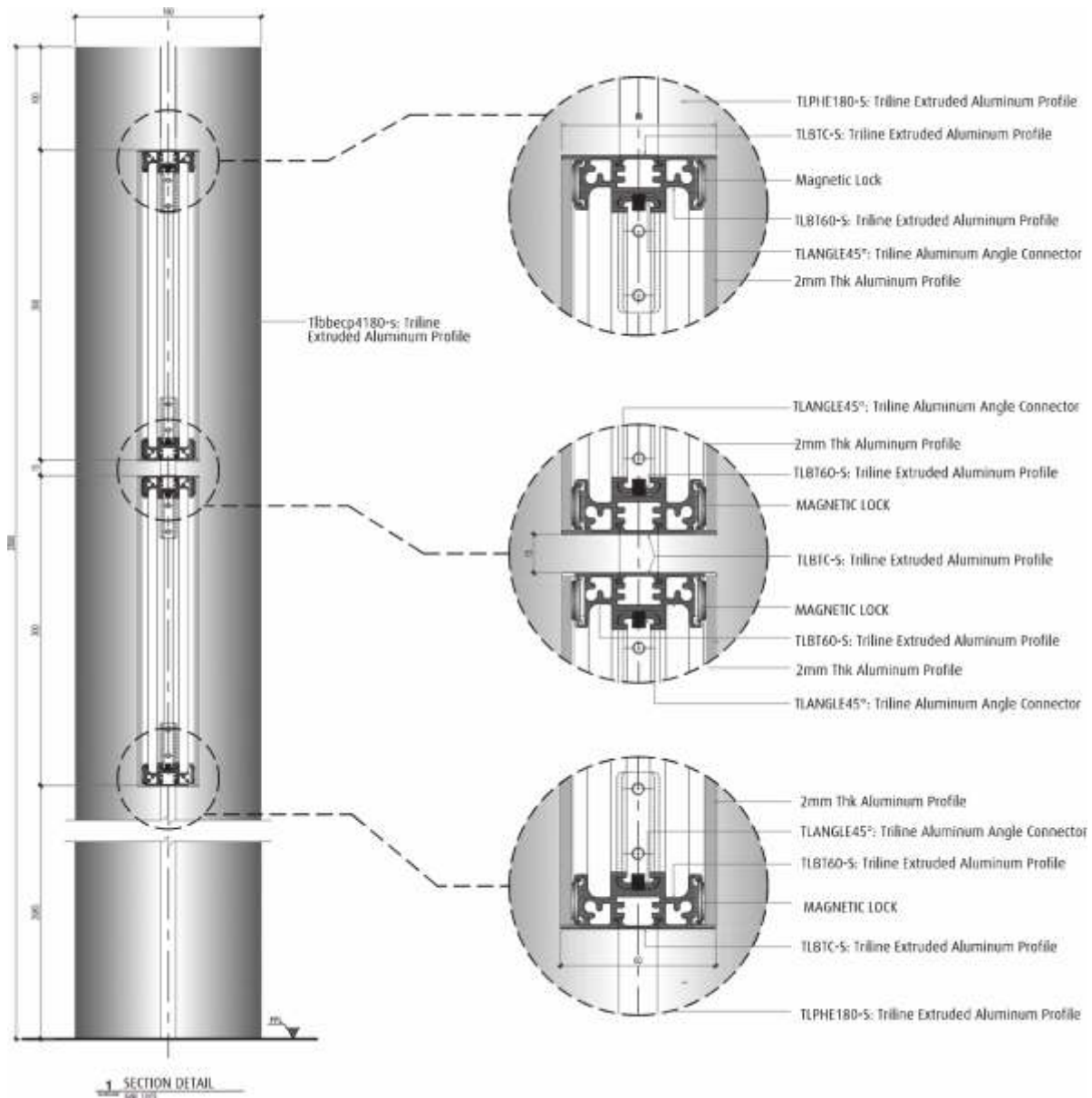
■ SECTION DETAILS
* Using Triline Angle45 Profile connects its section for durability purpose
* PROFILES have standard length of 3500 -4500mm
* Standard Finish:
- Mill
- Silver Anodized



**2** CEILING MOUNTED SIGN  
ISOMETRIC VIEW  
SECTION DETAILS SCALE: NTS

# Technical Details

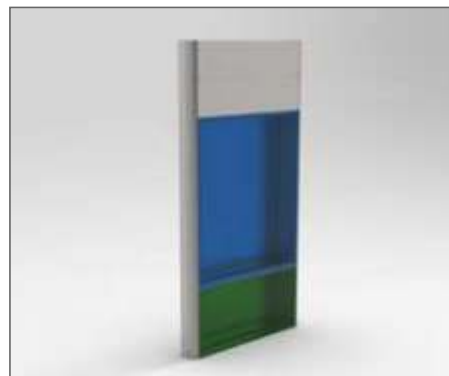




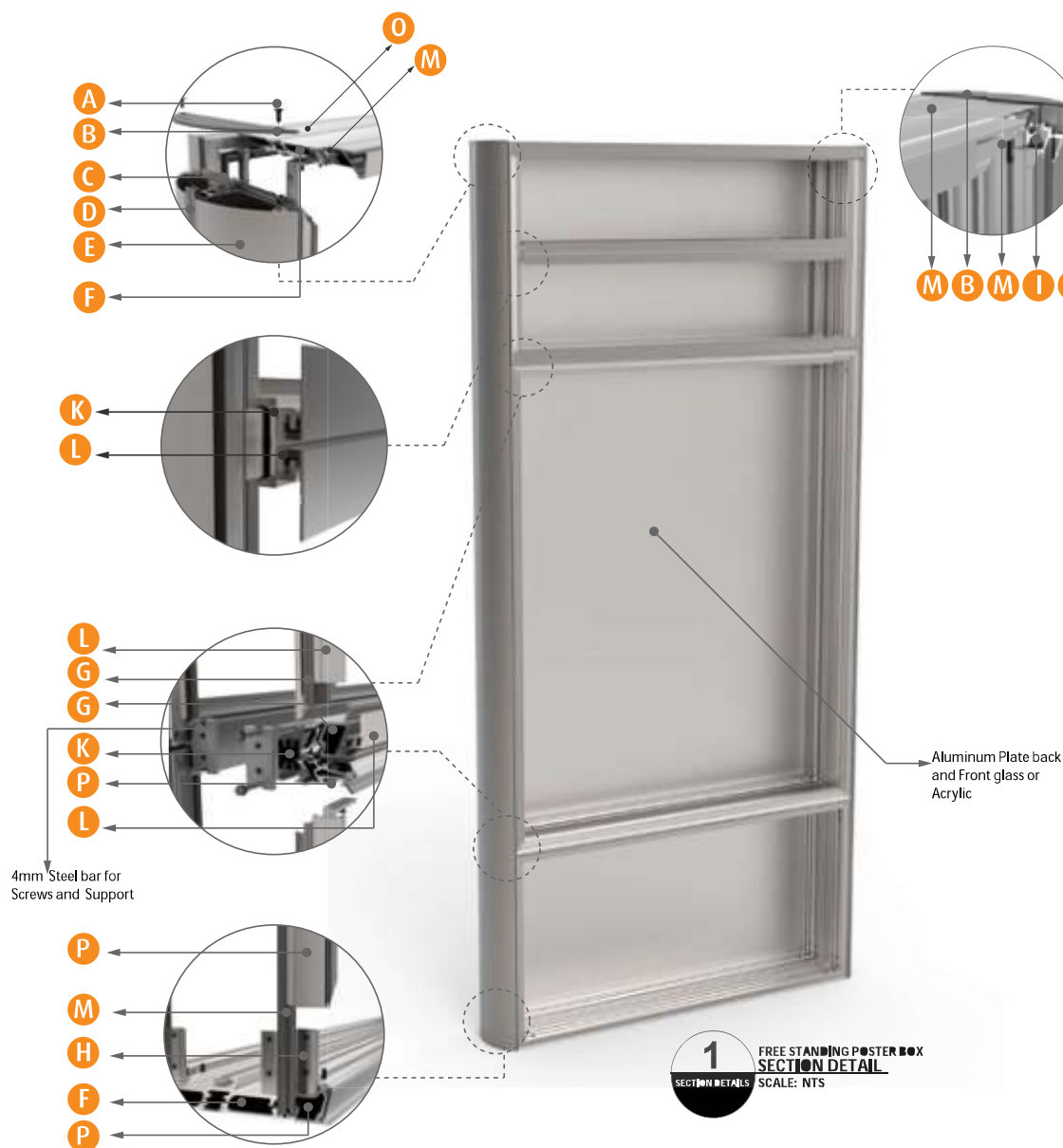
## Free Standing Poster Box

Powerful and modern, a totem that is highly versatile poster frame box which are ideal for small and huge applications.

Quick and easy to assemble that allows various different models for indoor use.



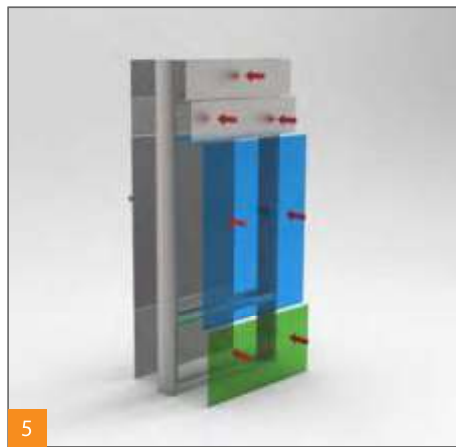
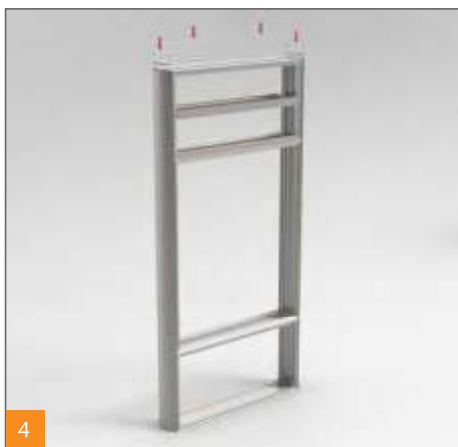
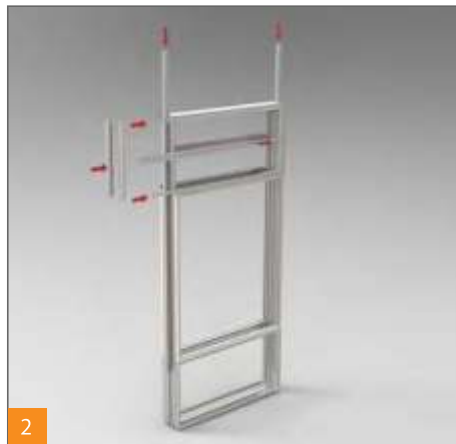
COMPONENTS	
A	TLSCRW3-S
B	TLPHE180-COV
C	TLLA40-S
D	TLOPV-S
E	TLPHE180-S
F	TLBT120-S
G	TLLTB45-S
H	TLANGLE45
I	TLLSF-S
J	TLLSFC-S
K	TLLHS25-A-S
L	TLLHS25-B-S
M	TLLH-S



N	L-ANGLE	O	TLBTC-S	P	TLL360-S
---	---------	---	---------	---	----------

## FREE STANDING POSTER BOX

### Assembly and Section Details



**APPLICATIONS**

- \* VINYL LETTERING
- \* DIGITAL PRINTING
- \* ENGRAVING
- \* BRAILLE TEXT
- \* SCREEN PRINTING
- \* LIGHTED BOX SIGN

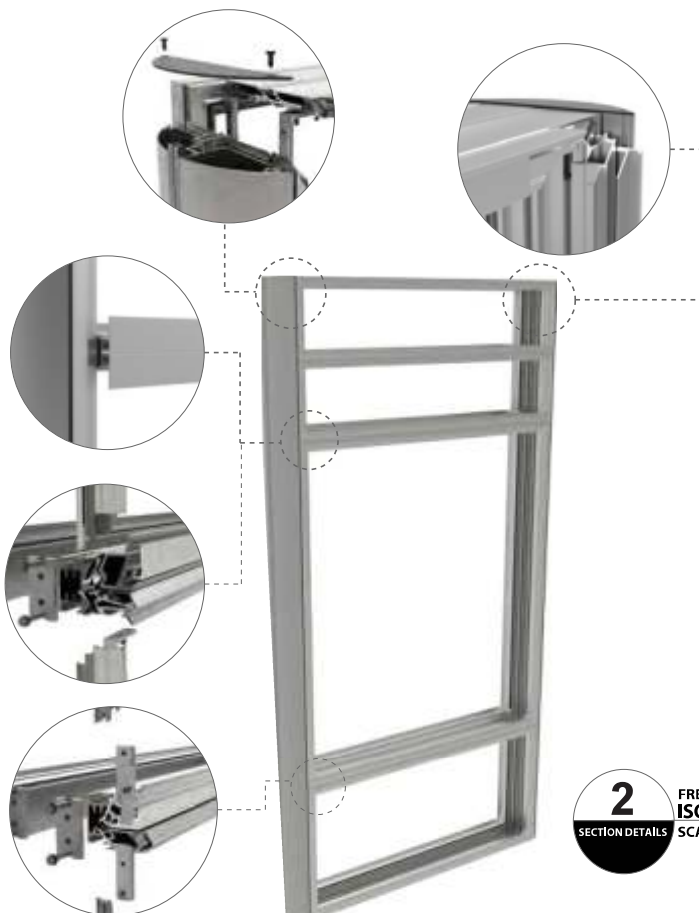
**MOUNTING POSSIBILITIES**

- \* With screws and plug for Free Standing Poster Box

**SECTION DETAILS**

- \* Basic Colors:
  - Silver
  - Gray
- \* PROFILES have standard length of 3500 -4500mm
- \* Standard Finish:
  - Mill
  - Silver Anodized

**SECTION VIEWS**

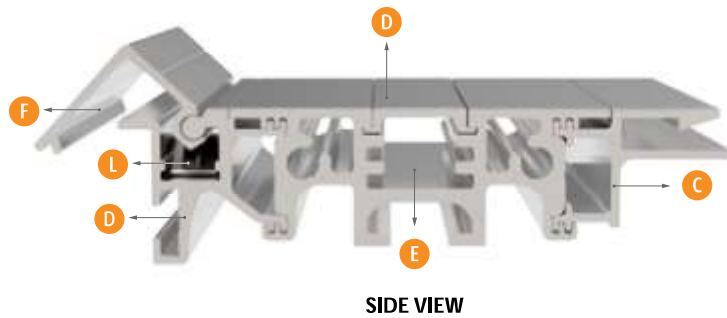
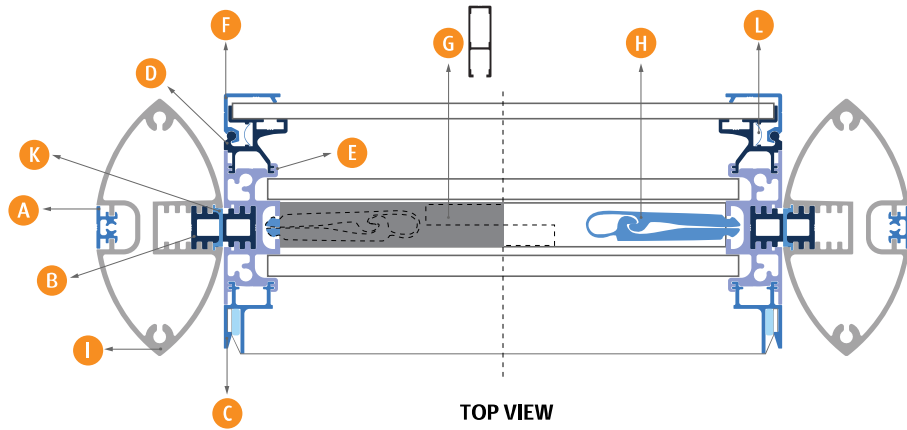


**2**  
SECTION DETAILS

FREE STANDING POSTER BOX  
ISOMETRIC VIEW  
SCALE: NTS

FREE STANDING PANEL NON-ILLUMINATED OR ILLUMINATED CLICK FRAME & FABRIC TOTEM

- COMPONENTS**
- A**  TLOPV
  - B**  TLLAF25
  - C**  TLLBTF-S
  - D**  TLSFSA-S
  - E**  TLBT60-S
  - F**  TLFSC6-S / TLSNAPC-3
  - G**  TLB50-S
  - H**  TSL0-B
  - I**  TLPHR100-S
  - J**  TLPHR100-COV-B
  - K**  TLBTC-S
  - L**  TLSPRING-7G
  - M**  TLANGLE 45/17mm
  - N**  TLBRAC-10G



Direct print on the back-side of 3mm thick clear acrylic.

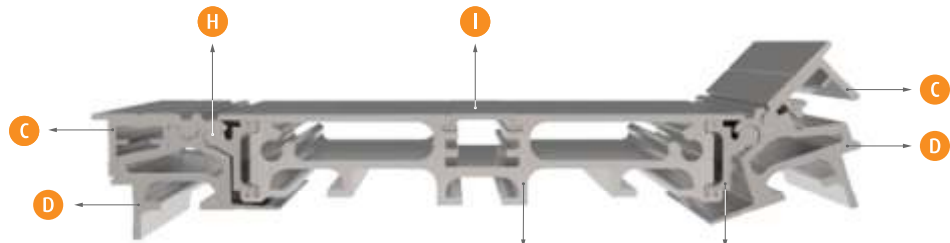
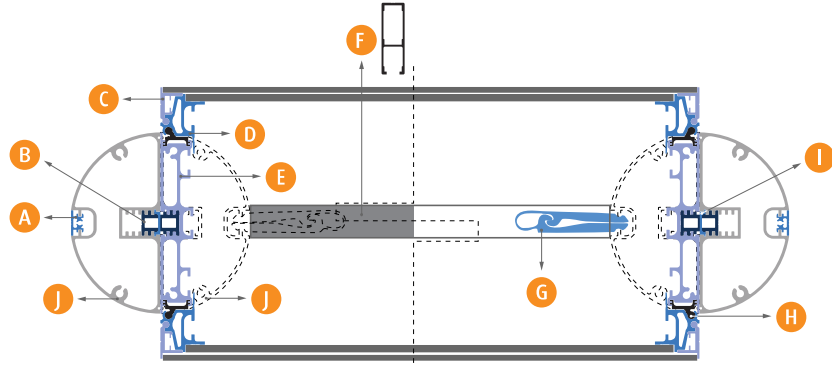


Graphics are printed on fabric






FREE STANDING DOUBLE SIDED POSTER UNIT DISPLAY PANEL NON-ILLUMINATED OR ILLUMINATED

- COMPONENTS**
- A**  TLOPV-S
  - B**  TLLAF25-S
  - C**  TLLFH15-S
  - D**  TLLBH360-S
  - E**  TLBT120-S
  - F**  TLB50-S
  - G**  TLSLO-B
  - H**  TLLFH-S
  - I**  TLBTC-S
  - J**  TLPHR120-S
  - K**  TLPHR120-COV-B
  - L**  TLANGLE 45/17mm
  - M**  BRACKET 45/10mm

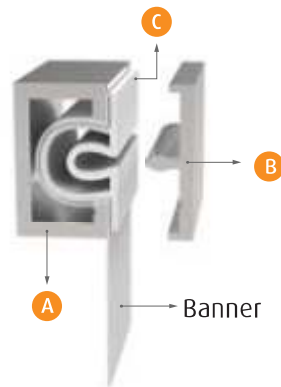


**SIMPLE TENSIONING BANNER APPLICATION**

**COMPONENTS**





<b>A</b> TLSCPT-S 	<b>B</b> TLTC-S 
<b>C</b> TLLBPS 	

**1 NON-ILLUMINATED WALL MOUNTED BANNER APPLICATION**

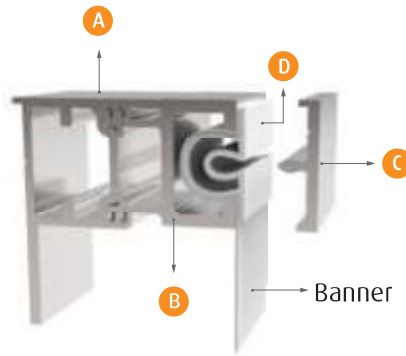


Side A  
Graphics Printed on Banner

**COMPONENTS**





<b>A</b> TLLSF360-S 	<b>B</b> TLLBTF1-S 
<b>C</b> TLTC-S 	<b>D</b> TLLBPS 

**2 ILLUMINATED / NON-ILLUMINATED WALL MOUNTED BANNER APPLICATION**

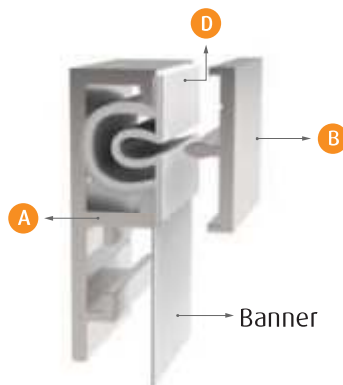


Graphics Printed on Banner

**COMPONENTS**

<b>A</b> TLSCPTWB-B 	<b>B</b> TLTC-S 
<b>C</b> TLBRAC-13G 	<b>D</b> TLLBPS 

**3 NON-ILLUMINATED WALL MOUNTED BANNER APPLICATION**



Graphics Printed on Banner

**SIMPLE TENSIONING FABRIC APPLICATION**

**DOUBLE-SIDED**

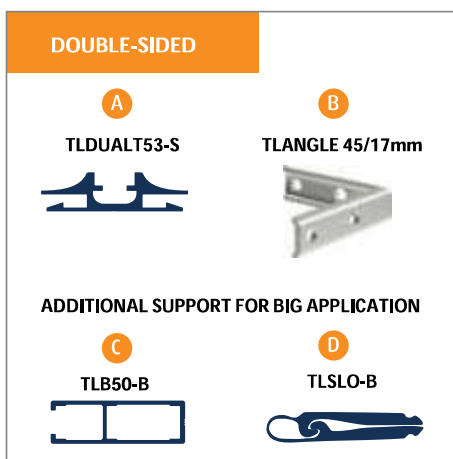
**A**  
TLDUALT53-S

**B**  
TLANGLE 45/17mm

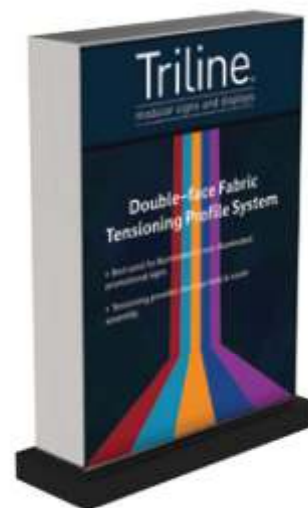
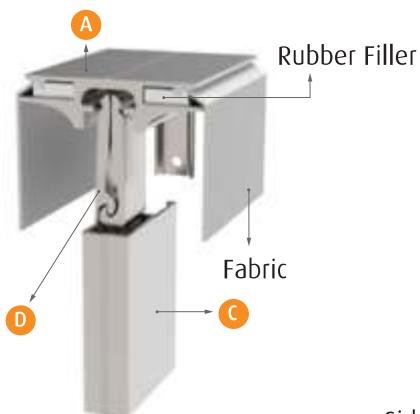
**ADDITIONAL SUPPORT FOR BIG APPLICATION**

**C**  
TLB50-B

**D**  
TLSLO-B



**1 ILLUMINATED FREE STANDING 2 SIDES FABRIC TOTEM**



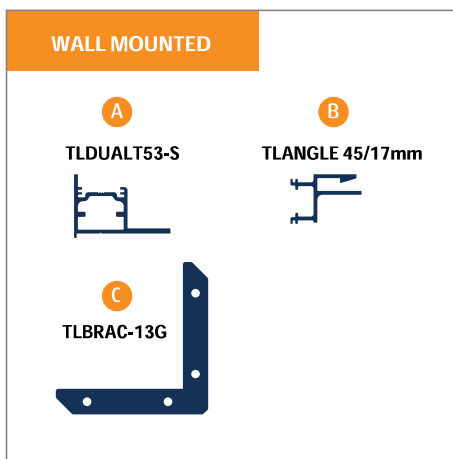
Side A & B  
Graphics Printed on Fabric

**WALL MOUNTED**

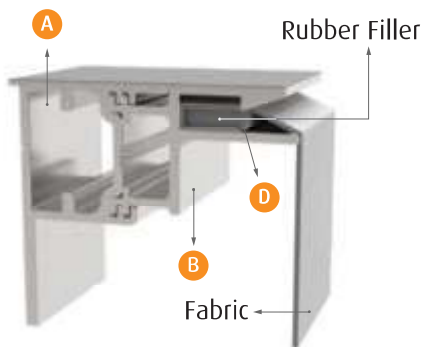
**A**  
TLDUALT53-S

**B**  
TLANGLE 45/17mm

**C**  
TLBRAC-13G



**2 NON-ILLUMINATED WALL MOUNTED SIGN**



Side A  
Graphics Printed on Fabric

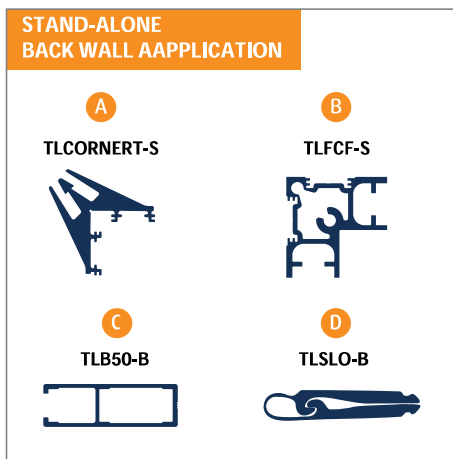
**STAND-ALONE BACK WALL APPLICATION**

**A**  
TLCORNERT-S

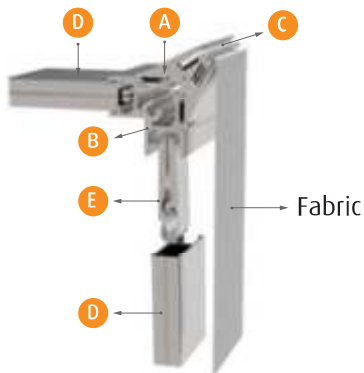
**B**  
TLFCF-S

**C**  
TLB50-B

**D**  
TLSLO-B

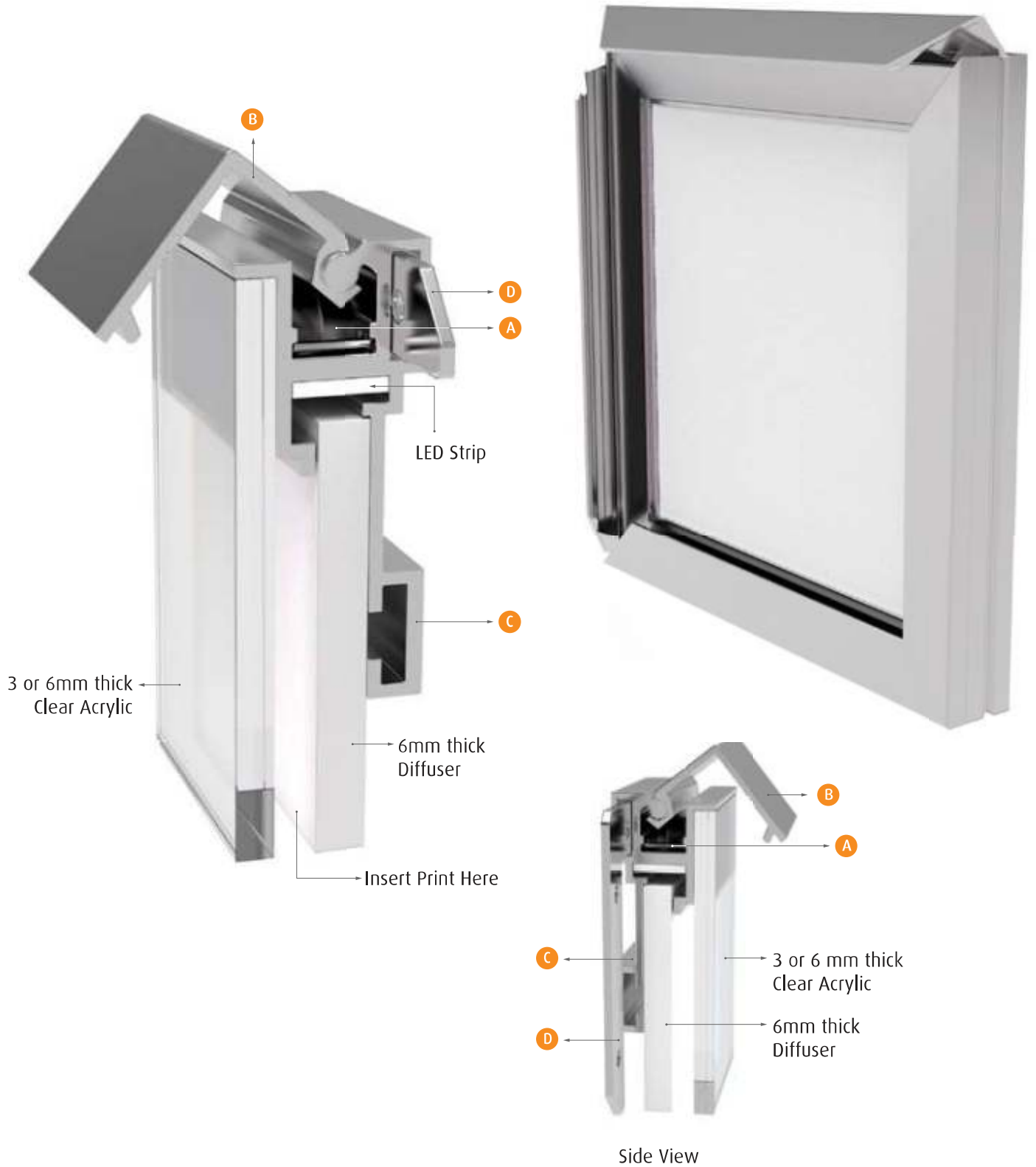


**3 NON-ILLUMINATED FREE STANDING 4 SIDES FABRIC TOTEM**



Side A,B,C & D  
Graphics Printed on Fabric

SLIM SNAP FRAME APPLICATION WITH LED



**COMPONENTS**

<p><b>A</b></p> <p><b>TLSPRING-7G</b></p>	<p><b>B</b></p> <p><b>TLSNAPC-3MM / TLSFSC6-S</b></p>	<p><b>C</b></p> <p><b>TLSNAPF-3MM</b></p>	<p><b>D</b></p> <p><b>TLBRAC-10G</b></p>
---	---	---	--

## Free Standing Totem

Another high-end and very much premium with innovative design that offer a range of small, medium to large signs. Allowing the display sign to fit together using only basic assembly tools.

Its certainly a self supporting display - fixed , free-standing display light box option - that accepts variety of inserts such as paper, acrylic, aluminum, metal, glass, etc..



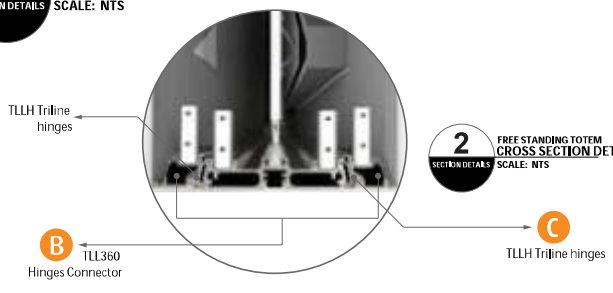
**COMPONENTS**

- A** TLBT120-S
- B** TLL360-S
- C** TLLH-S
- D** TLBTC-S
- E** TLANGLE45
- F** TLSO
- G** TLB50-S



**1** FREE STANDING TOTEM SECTION DETAIL  
SCALE: NTS

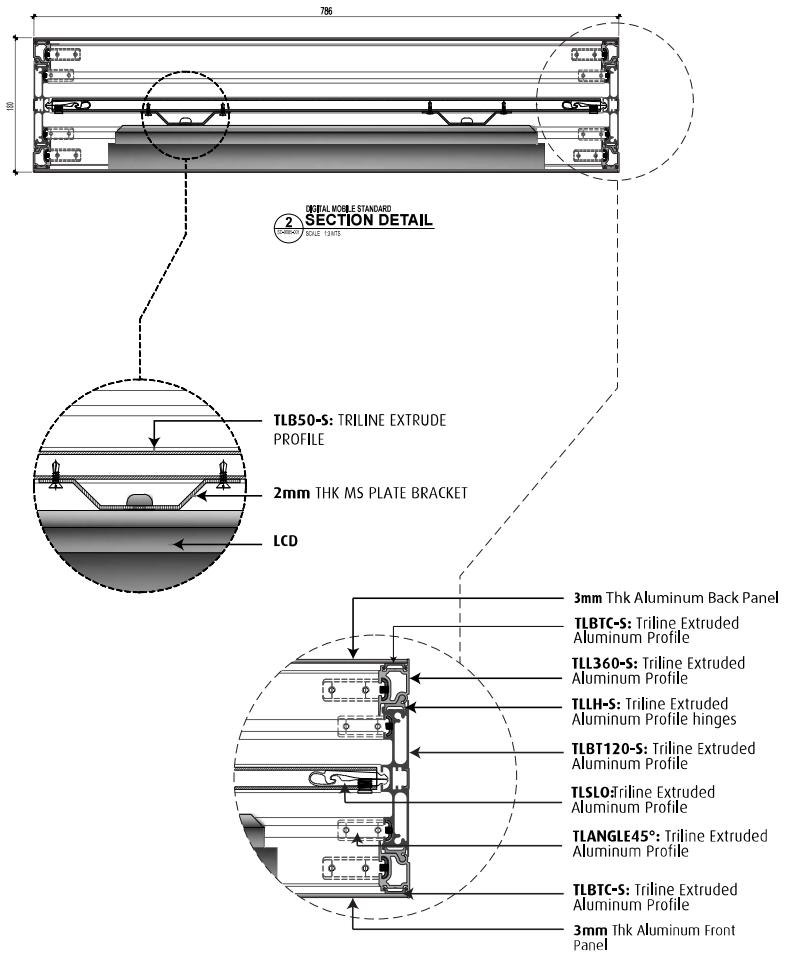
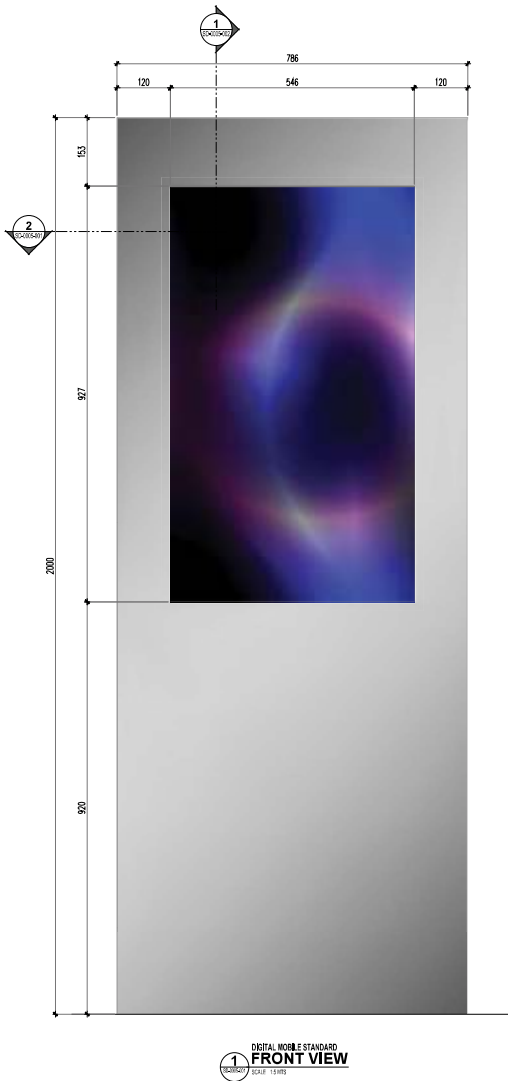
**2** FREE STANDING TOTEM CROSS SECTION DETAILS  
SCALE: NTS

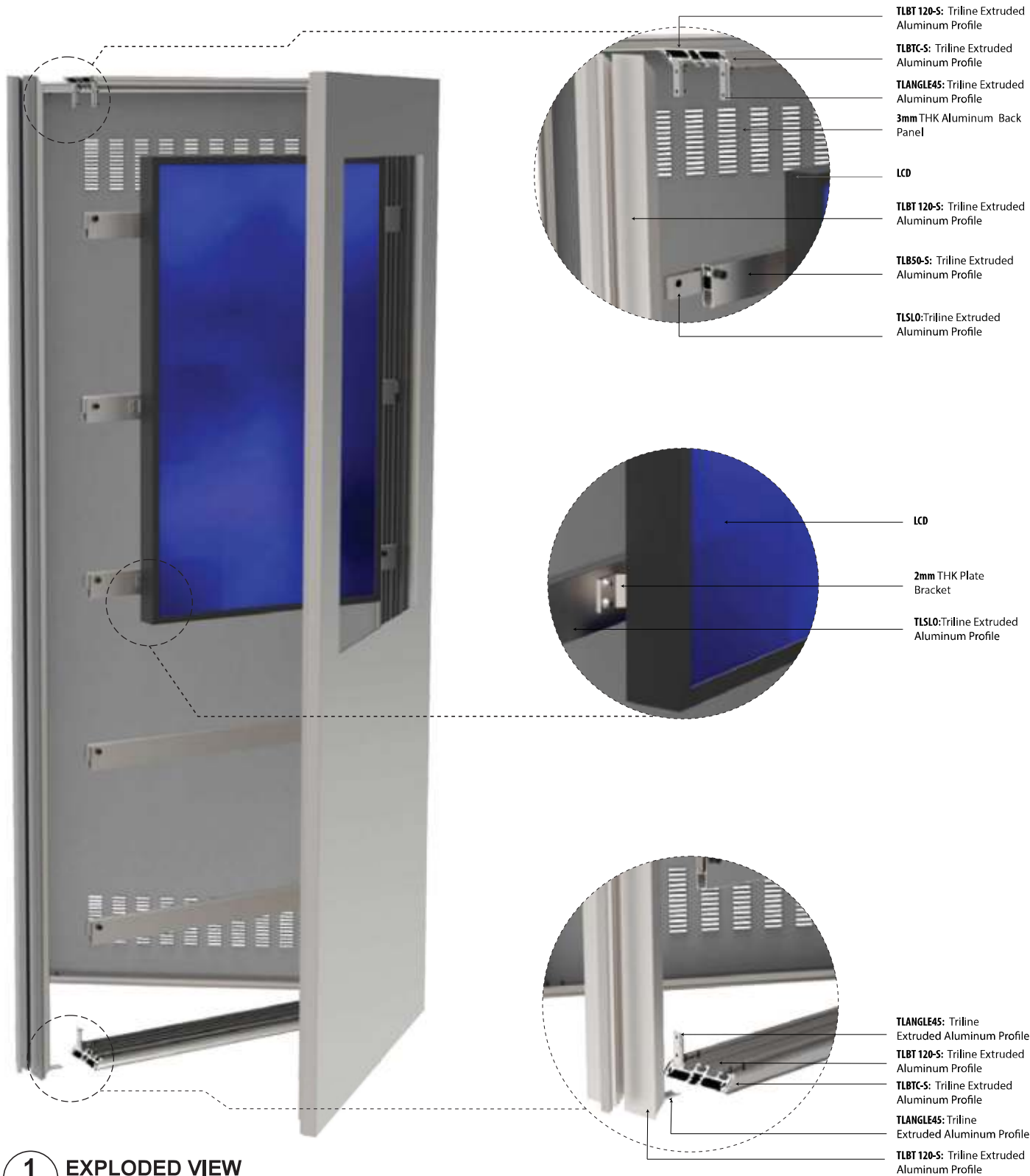


**B** TLL360 Hinges Connector

**C** TLLH Triline hinges

# Technical Details





**1** EXPLODED VIEW

00-0891-02 SCALE NTS