



Straight Designs.

ALLIANCE™

Suitable for all architectural applications.



Door & Wall Sign

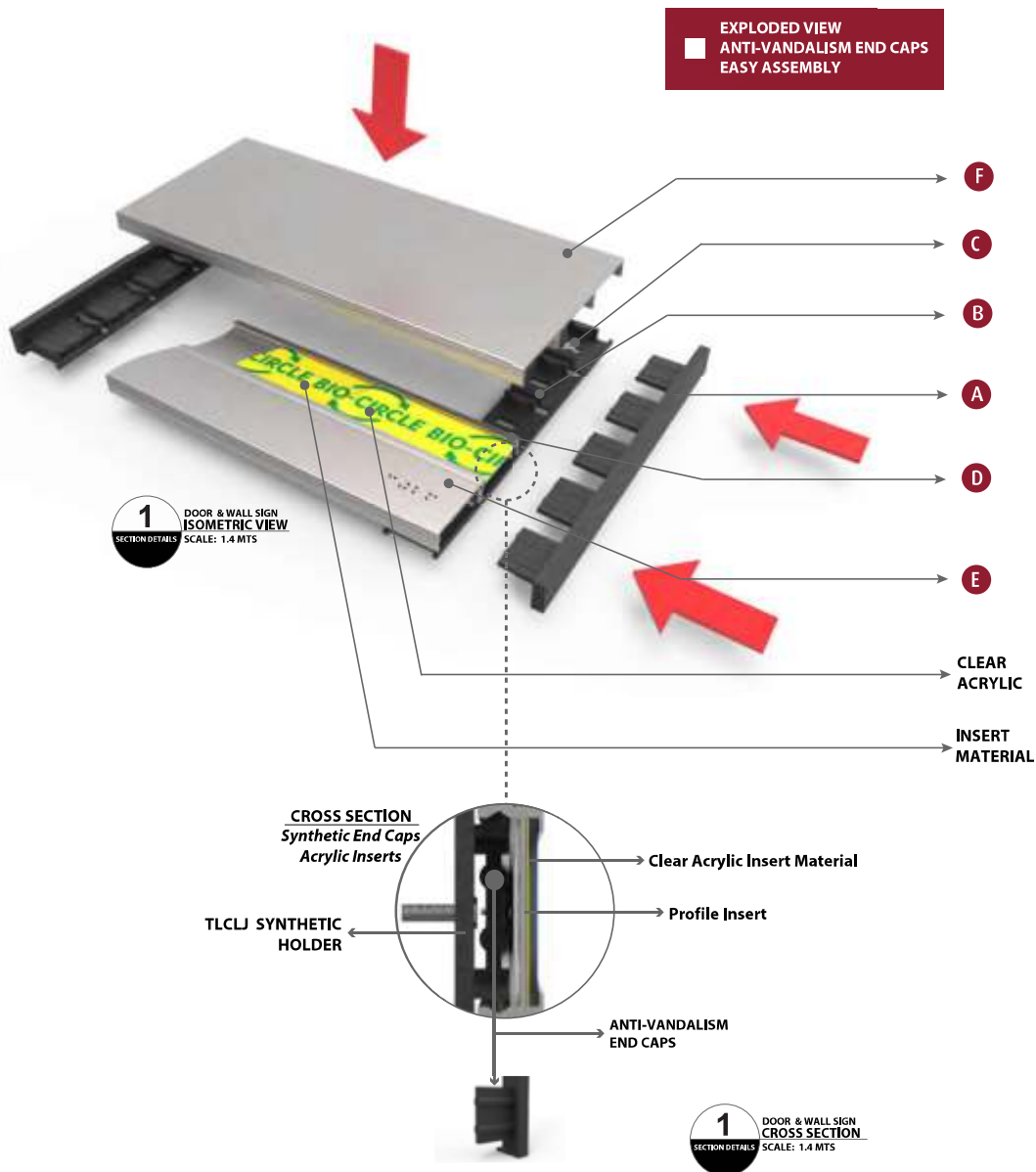
Synthetic End Caps

With anti-vandalism solution (patented) - Exploded view



COMPONENTS

- A** TLE155-B
- B** TLCLJ-B
- C** TLSCRW3-B
- D** TL31S-S
- E** TL31-S
- F** TL93-S



DOOR & WALL SIGN

(Synthetic End Caps)

Assembly and Section Details



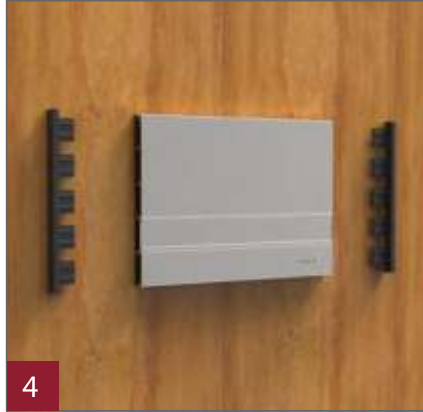
1



2



3

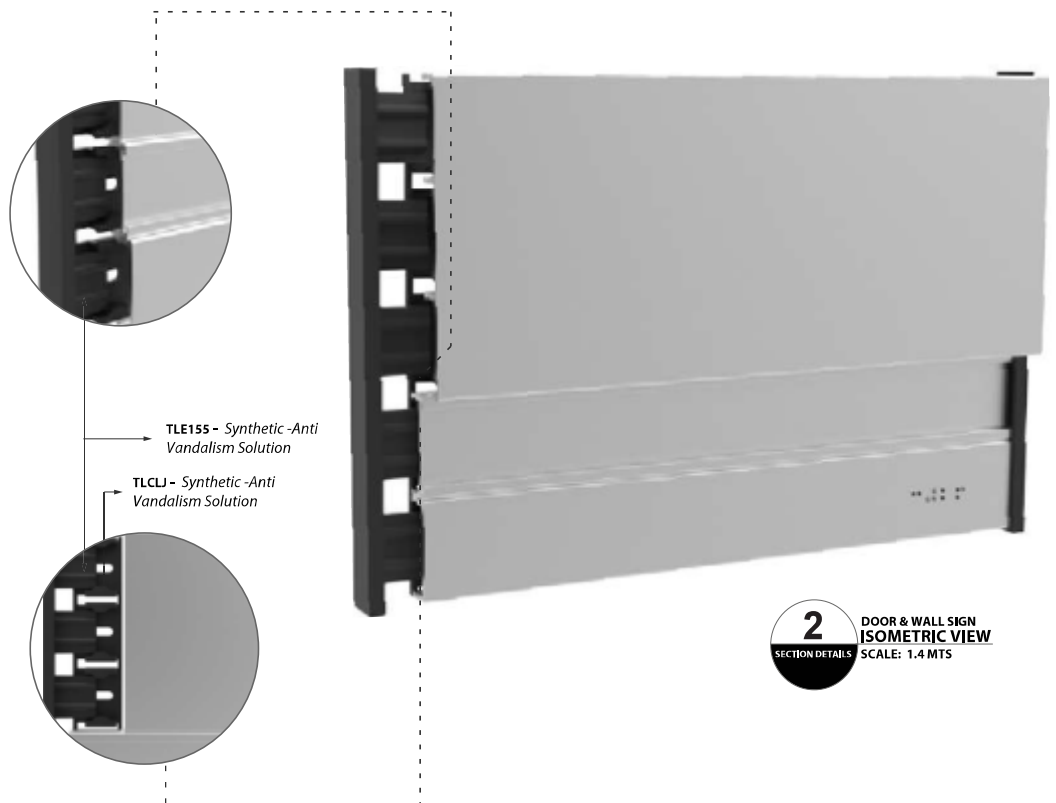


4



5

- APPLICATIONS
 - * VINYL LETTERING
 - * DIGITAL PRINTING
 - * ENGRAVING
 - * BRAILLE TEXT
 - * SCREEN PRINTING
- MOUNTING POSSIBILITIES
 - * With screw and plug
 - * Glued with Sticky bond
 - * Double sided tape
- SECTION DETAILS
 - * Single End Caps has 2 basic colors:
 - Black
 - Gray
 - * PROFILES have standard length of 3500mm -
 - * Standard Finish:
 - Mill
 - Silver Anodized



2
SECTION DETAILS
DOOR & WALL SIGN
ISOMETRIC VIEW
SCALE: 1:4 MTS

Door & Wall Sign

Aluminum Side Tracks Using Synthetic Blocking Pin - Exploded View

With anti-theft solution (patented)

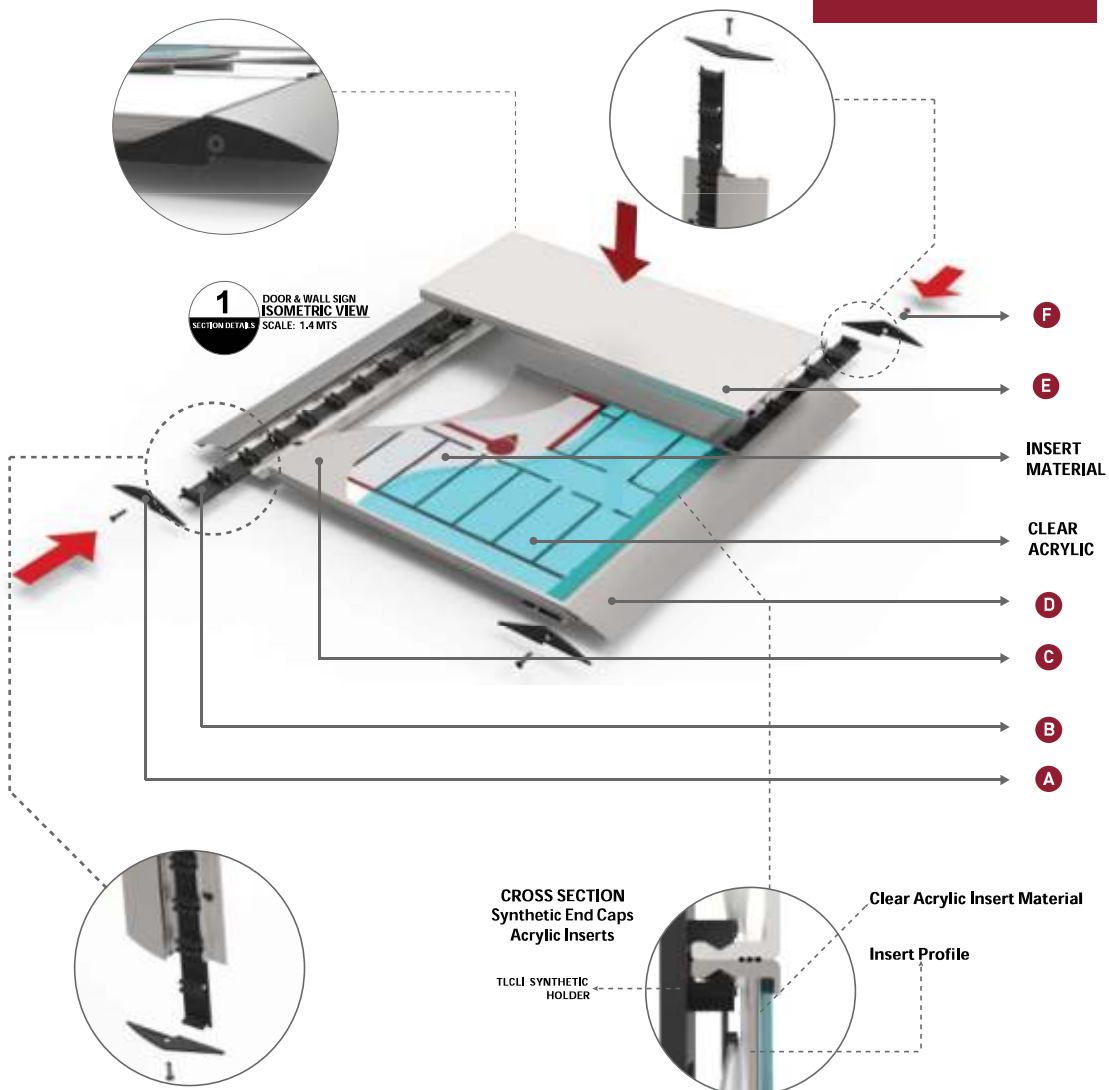
*5 styles: Ellipse, Classic, Slim, Triangle (patented), Round.



COMPONENTS

- A** TLAELLIP-B
- B** TLCLI-B
- C** TL155S-S
- D** TLAKE-S
- E** TL93-S
- F** TLSCRW3-B

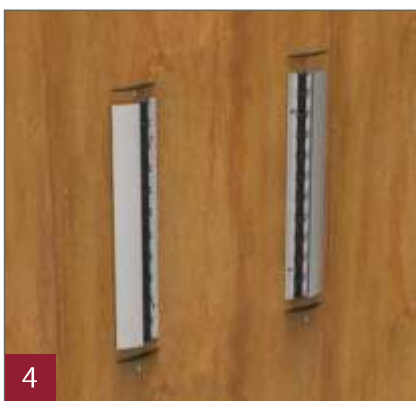
ANTI-VANDALISM END CAPS



DOOR & WALL SIGN

(Aluminum Side Tracks Using Synthetic Blocking Pin)

Assembly and Section Details



APPLICATIONS

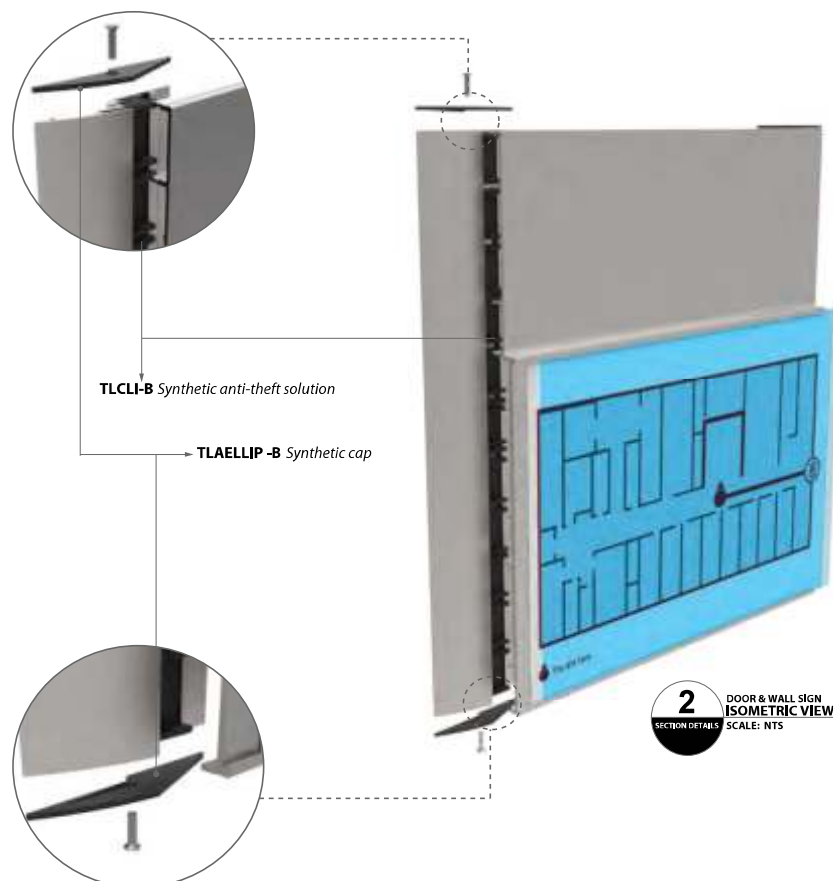
- * VINYL LETTERING
- * DIGITAL PRINTING
- * ENGRAVING
- * BRAILLE TEXT
- * SCREEN PRINTING

MOUNTING POSSIBILITIES

- * With screw and plug
- * Glued with Sticky bond

SECTION DETAILS

- * Single End Caps has 2 basic colors:
 - Black
 - Gray
- * PROFILES have standard length of 3500mm -
- * Standard Finish:
 - Mill
 - Silver Anodized



Door & Wall Sign

Aluminum Side Tracks Using Full Frame Feature - Exploded view

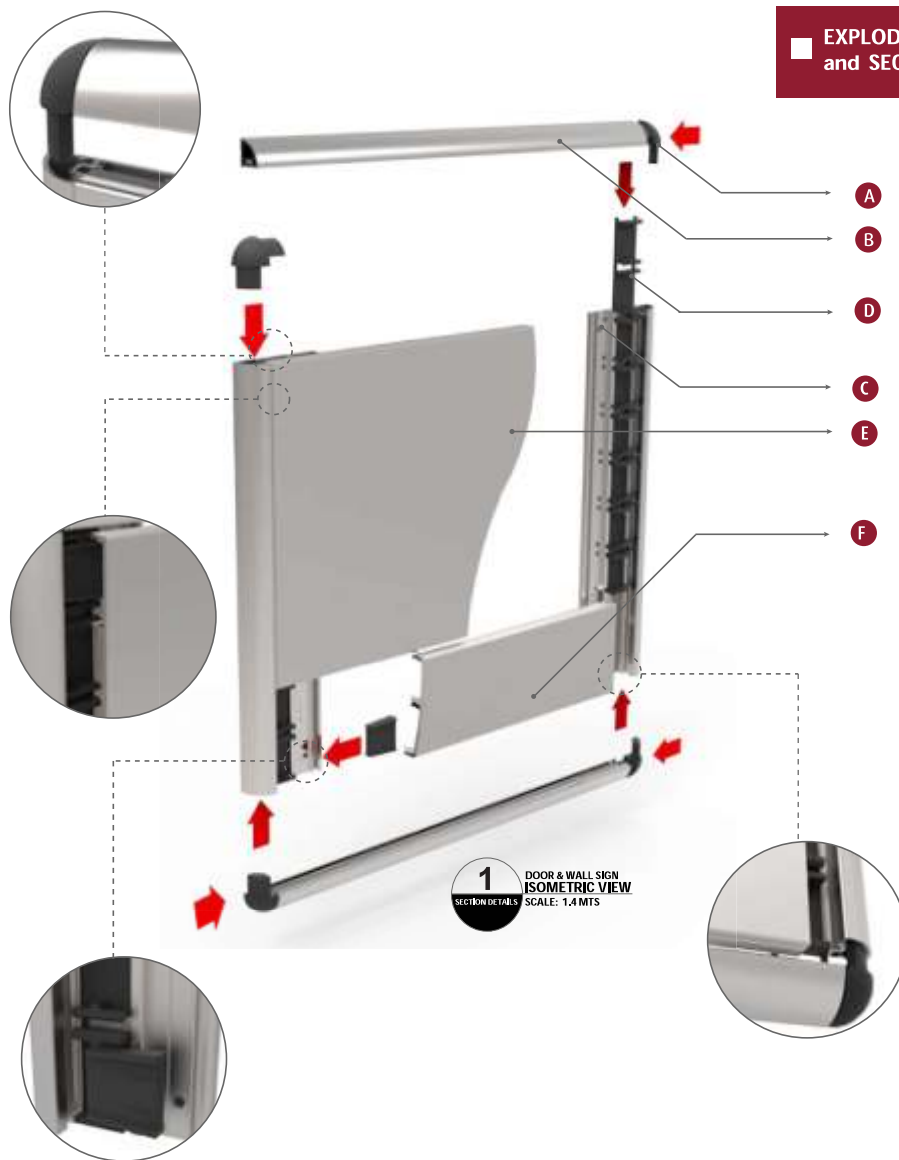
With anti-theft solution (patented)
In combination with top & bottom profiles.
*2 styles: Classic, Round.



COMPONENTS

- A** TLHRA-B
- B** TLRAD-S
- C** TLEKR-S
- D** TLCLI-B
- E** TL186-S
- F** TL62-S

EXPLODED VIEW and SECTION DETAILS



1 DOOR & WALL SIGN
SECTION DETAILS
ISOMETRIC VIEW
SCALE: 1:4 MTS

DOOR & WALL SIGN

(Aluminum Side-Tracks Using Full Frame feature)

Assembly and Section Details



1



2



3



4



5



6

■ APPLICATIONS

- * VINYL LETTERING
- * DIGITAL PRINTING
- * ENGRAVING
- * BRAILLE TEXT
- * SCREEN PRINTING

■ MOUNTING POSSIBILITIES

- * With screw and plug
- * Glued with Sticky bond
- * Double sided tape

■ SECTION DETAILS

- * Single End Caps has 2 basic colors:
 - Black
 - Gray
- * PROFILES have standard length of 3500mm -
- * Standard Finish:
 - Mill
 - Silver Anodized



2 DOOR & WALL SIGN
SECTION DETAILS ISOMETRIC VIEW
SCALE: 1:4 MTS

Door & Wall Sign

Synthetic End Caps - Exploded View

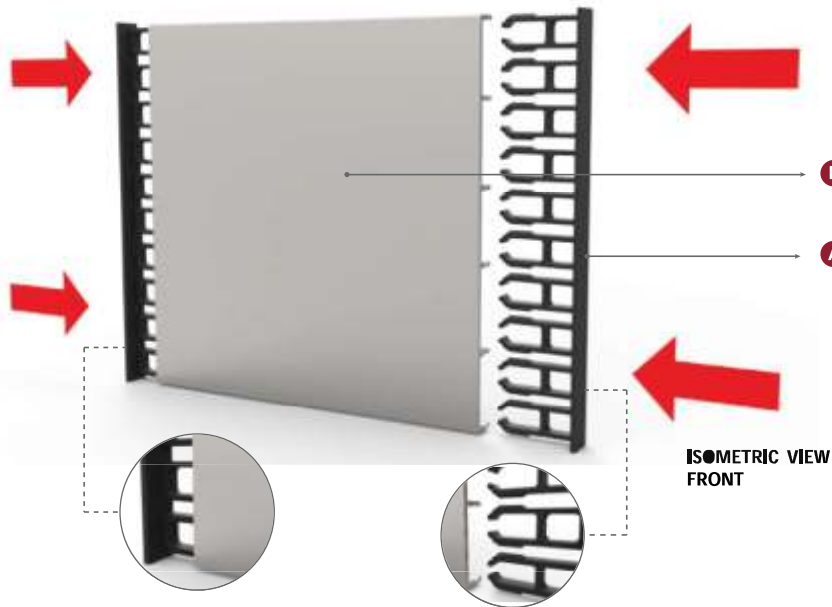
With easy assembly feature
*2 styles: Slim, Ellipse



EXPLODED VIEW

COMPONENTS

- A** TLEC155-B
- B** TL155-S
- C** ADHESIVE TAPE



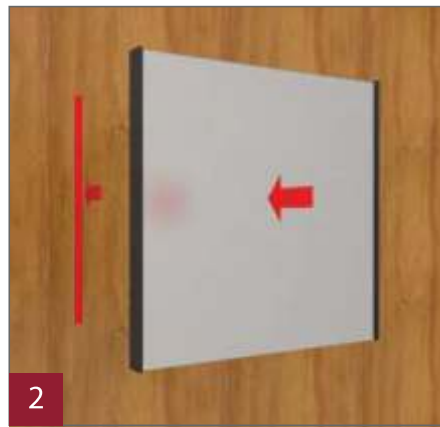
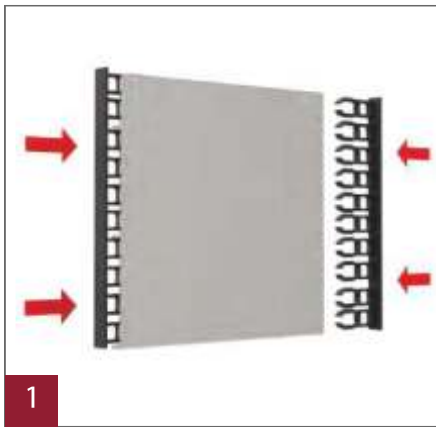
1 WALL SIGN
ISOMETRIC VIEW
SCALE: 1:4 MTS
SECTION DETAILS



DOOR & WALL SIGN

Synthetic End Caps - Assembly

Assembly and Section Details



- APPLICATIONS**
 - * VINYL LETTERING
 - * DIGITAL PRINTING
 - * ENGRAVING
 - * BRAILE TEXT
 - * SCREEN PRINTING
- MOUNTING POSSIBILITIES**
 - * With screw and plug
 - * Glued with Sticky bond
 - * Double sided tape
- SECTION DETAILS**
 - * Single End Caps has 2 basic colors:
 - Black
 - Gray
 - * PROFILES have standard length of 3500mm -
 - Mill
 - Silver Anodized



Desk Sign

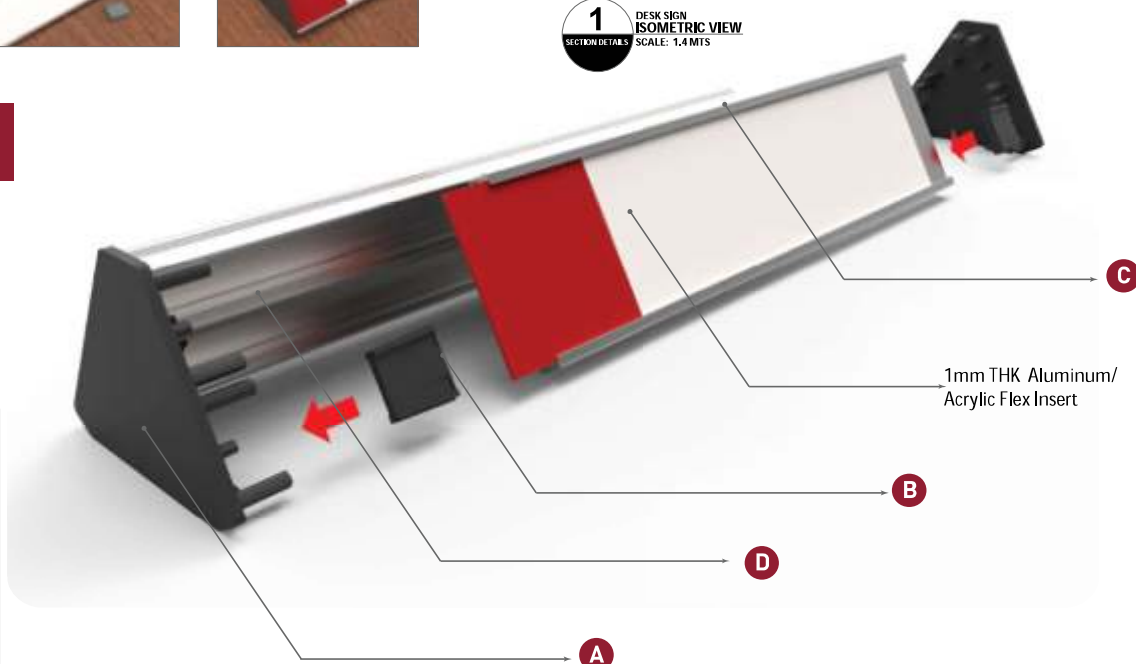
Easy assembly using blocking pin

*2 Measures: 31 mm, 62 mm - Exploded View



1 DESK SIGN
ISOMETRIC VIEW
SECTION DETAILS
SCALE: 1:4 MTS

Easy Assemble



COMPONENTS



TL62-S



TL62-S



TL62-S

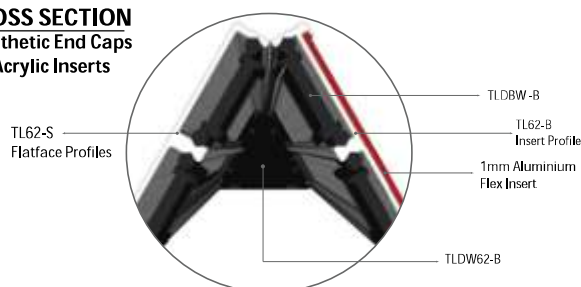


TL62-S

EXPLODED VIEW

INSERT AND FACE PROFILES
Offers the possibility to insert
any kind of material with
thickness up to
1.75mm - 2mm THK.

CROSS SECTION Synthetic End Caps Acrylic Inserts



DESK SIGN

Assembly and Section Details



- APPLICATIONS**
- * VINYL LETTERING
 - * DIGITAL PRINTING
 - * ENGRAVING
 - * BRAILLE TEXT
 - * SCREEN PRINTING
- MOUNTING POSSIBILITIES**
- * With screw and plug
 - * Glued with Sticky bond

- SECTION DETAILS**
- * Single End Caps has 2 basic colors:
 - Black
 - Gray
 - * PROFILES have standard length of 3500mm -
 - * Standard Finish:
 - Mill
 - Silver Anodized













Directory Sign

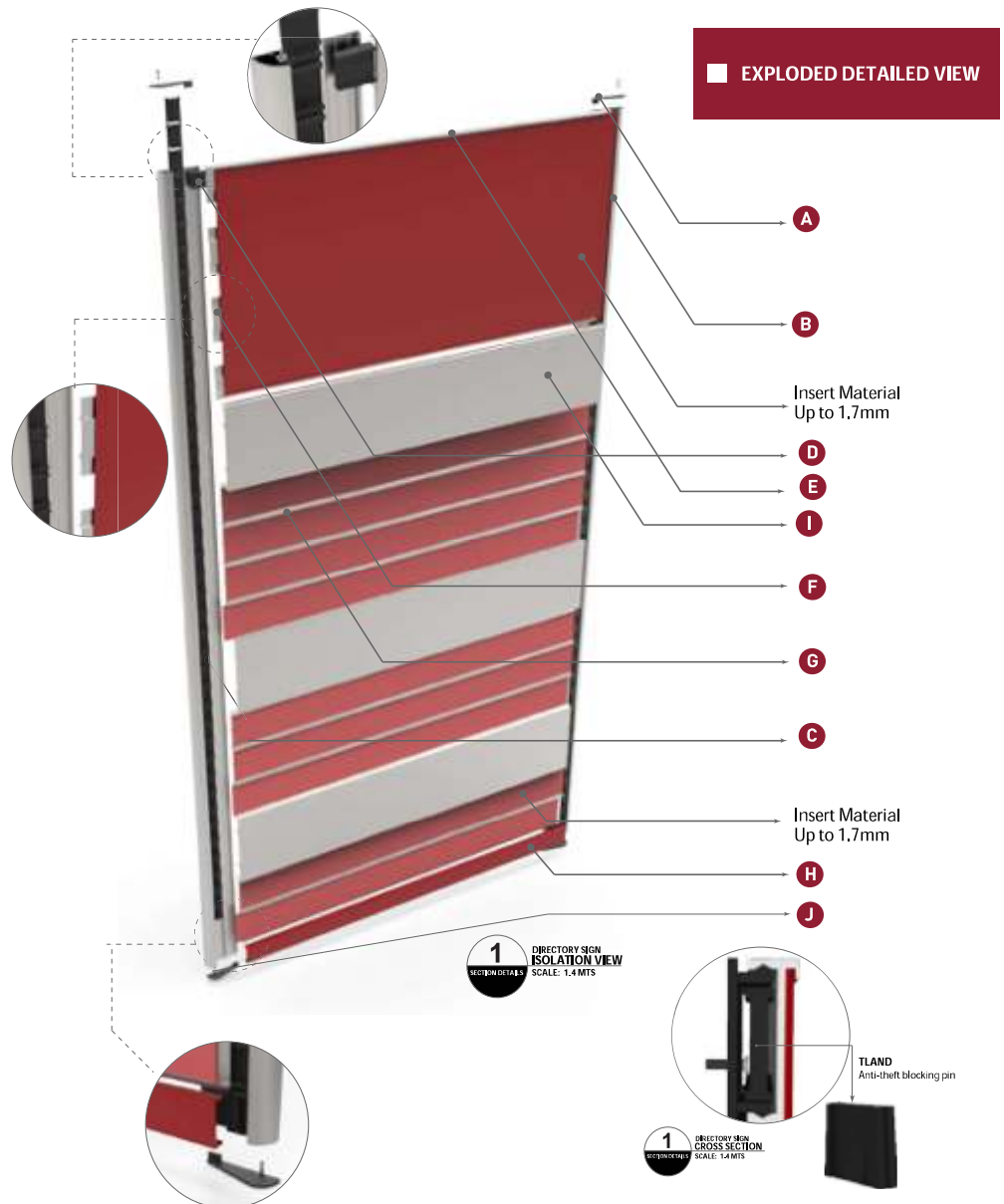
Wall Mounted / Radius Side Tracks - Exploded View

Highly versatile in design & function contributing to ease of profile coupling. When changing or extending, components are relocated or added easily, without altering the rest of the sign.



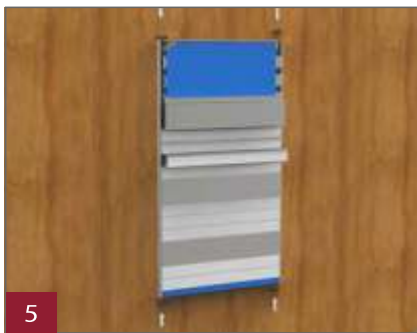
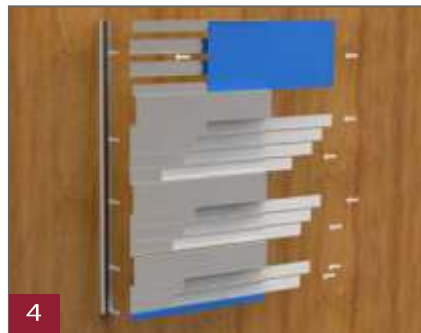
COMPONENTS

- A**  **TLRADS-B**
- B**  **TLRAD-S**
- C**  **TLCLI-B**
- D**  **TLAND-B**
- E**  **TLPAN-S**
- F**  **TLONP-S**
- G**  **TL62S-S**
- H**  **TL31-S**
- I**  **TL93-S**
- J**  **TLSCR3-B**

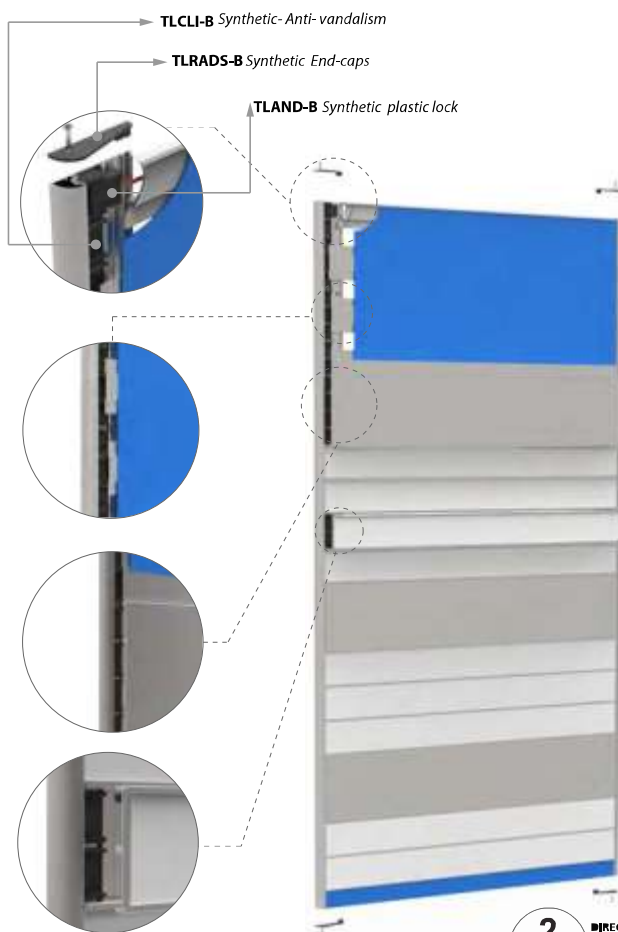


DIRECTORY SIGN

Assembly and Section Details



■ APPLICATIONS
* VINYL LETTERING
* DIGITAL PRINTING
* ENGRAVING
* BRAILLE TEXT
* SCREEN PRINTING
■ MOUNTING POSSIBILITIES
* With screw and plug
* Glued with Sticky bond
■ SECTION DETAILS
* Single End Caps has 2 basic colors: - Black - Gray
* PROFILES have standard length of 3500mm -
* Standard Finish: - Mill - Silver Anodized



TLKEY NOTE: The TLKEY cannot removed profile which have been blocked with the TLAND blocking pin!



1. The TLKEY needs to be slid horizontally between the profiles, at minimum 50mm distance from the side tracks.

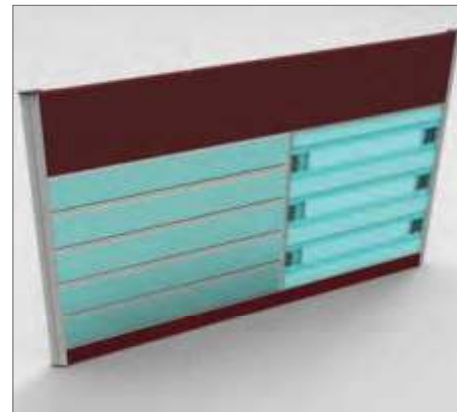


2. Pull the TLKEY backwards, the profile will be released from the clips and can be removed from the sign.

Directory Sign

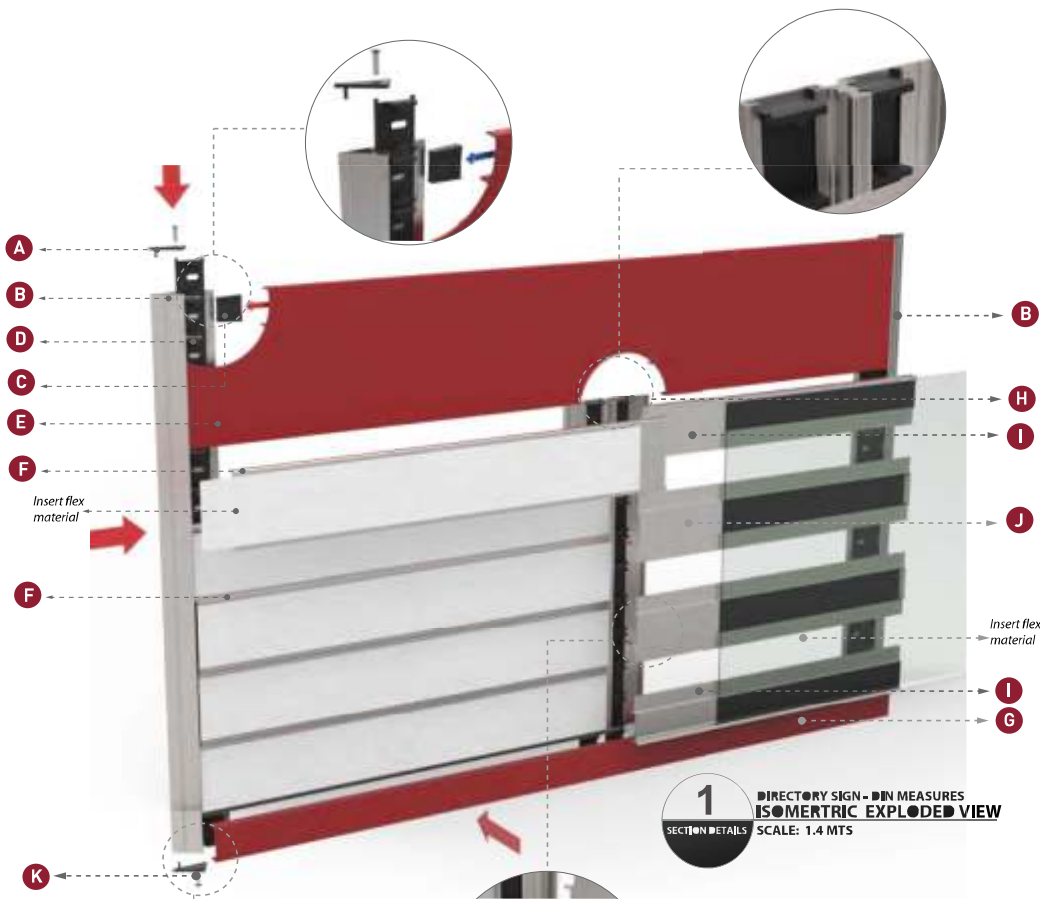
DIN Measures - Exploded View

Using variable insert profiles offer the possibility to create any type measure of insert panels larger than A4 (A3, A2, A1), intergrating Maps in directories, etc.

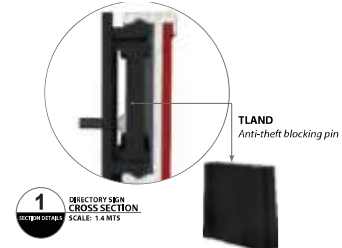


COMPONENTS

- A** TLJAZ2S-B
- B** TLJAZ2-S
- C** TLAND-B
- D** TLCLJ-B
- E** TL124-S
- F** TL62S-S
- G** TL31-B
- H** TLTUS-S
- I** TLPAN-S
- J** TLONP-S
- K** TLSCR3-S

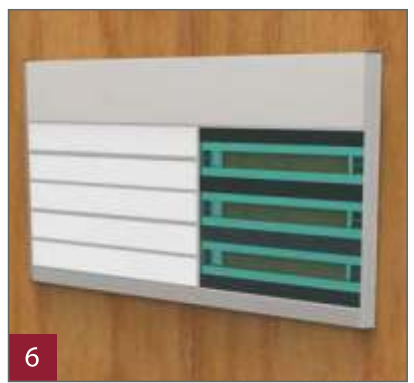
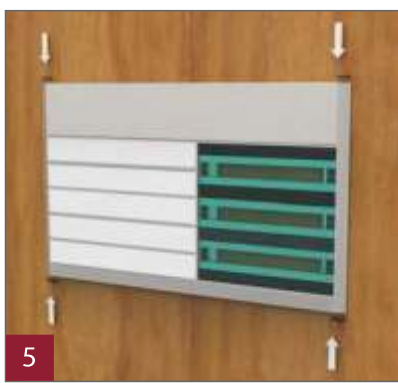
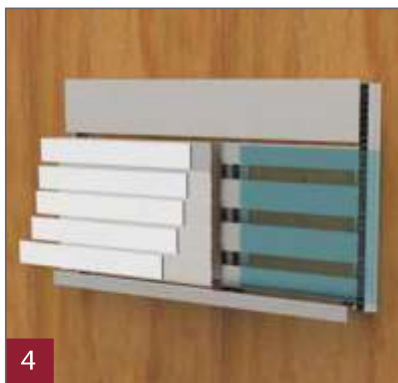
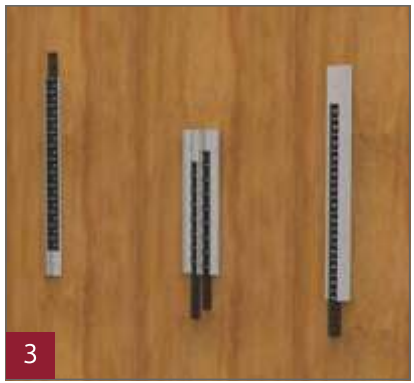
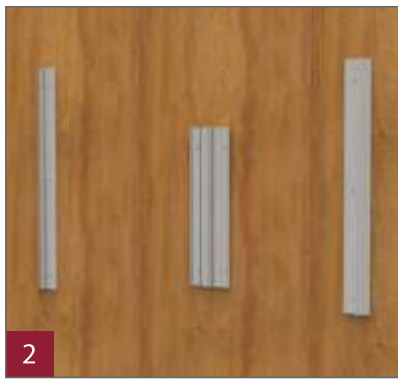


1 DIRECTORY SIGN - DIN MEASURES
ISOMETRIC EXPLODED VIEW
SCALE: 1.4 MTS

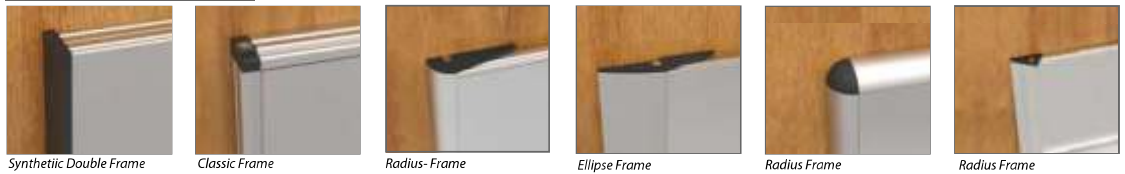


Directory Sign - Din Measurements (DIN Mesasures)

Assembly and Section Details

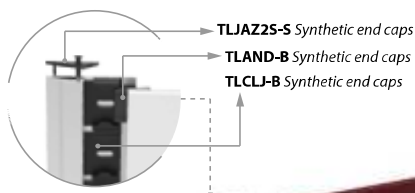


6 Different Frame Styles:



- APPLICATIONS**
 - * VINYL LETTERING
 - * DIGITAL PRINTING
 - * ENGRAVING
 - * BRAILE TEXT
 - * SCREEN PRINTING
- MOUNTING POSSIBILITIES**
 - * With screw and plug
 - * Glued with Sticky bond

- SECTION DETAILS**
- * Single End Caps has 2 basic colors:
 - Black
 - Gray
- * PROFILES have standard length of 3500mm -
- * Standard Finish:
 - Mill
 - Silver Anodized



2 DIRECTORY SIGN - DIN MEASURES
ISOMETRIC EXPLODED VIEW
SCALE: NTS

Directional Suspended Sign

With anti-theft feature and sign assembly without screws. - Exploded View

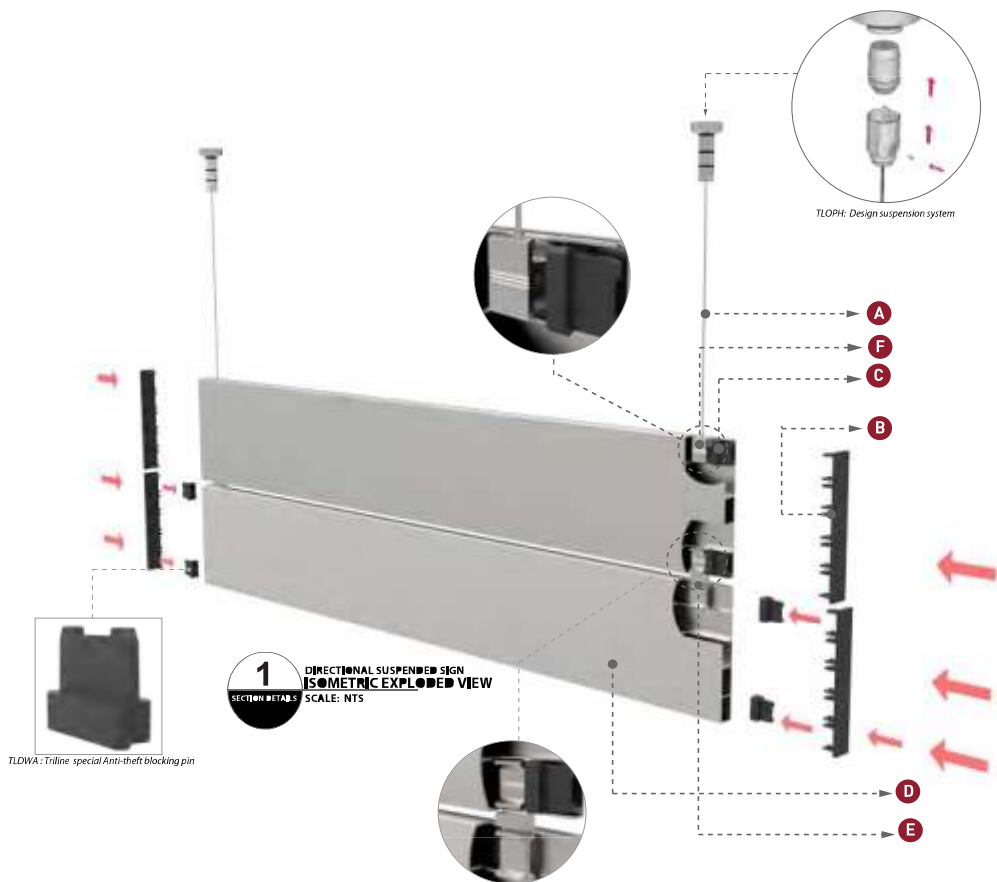
The suspension system complies with suspension safety regulations for public buildings. Connecting parts in aluminum to guarantee safety incase of fire & provide easy and smooth maintenance.

Double sided end-caps from 62mm to 248 mm. Suspension System "Inox Look".



COMPONENTS

- A** TLOPH
- B** TLD155-B
- C** TLDWA-B
- D** TL155-S
- E** TLDST-S
- F** TLEST-B

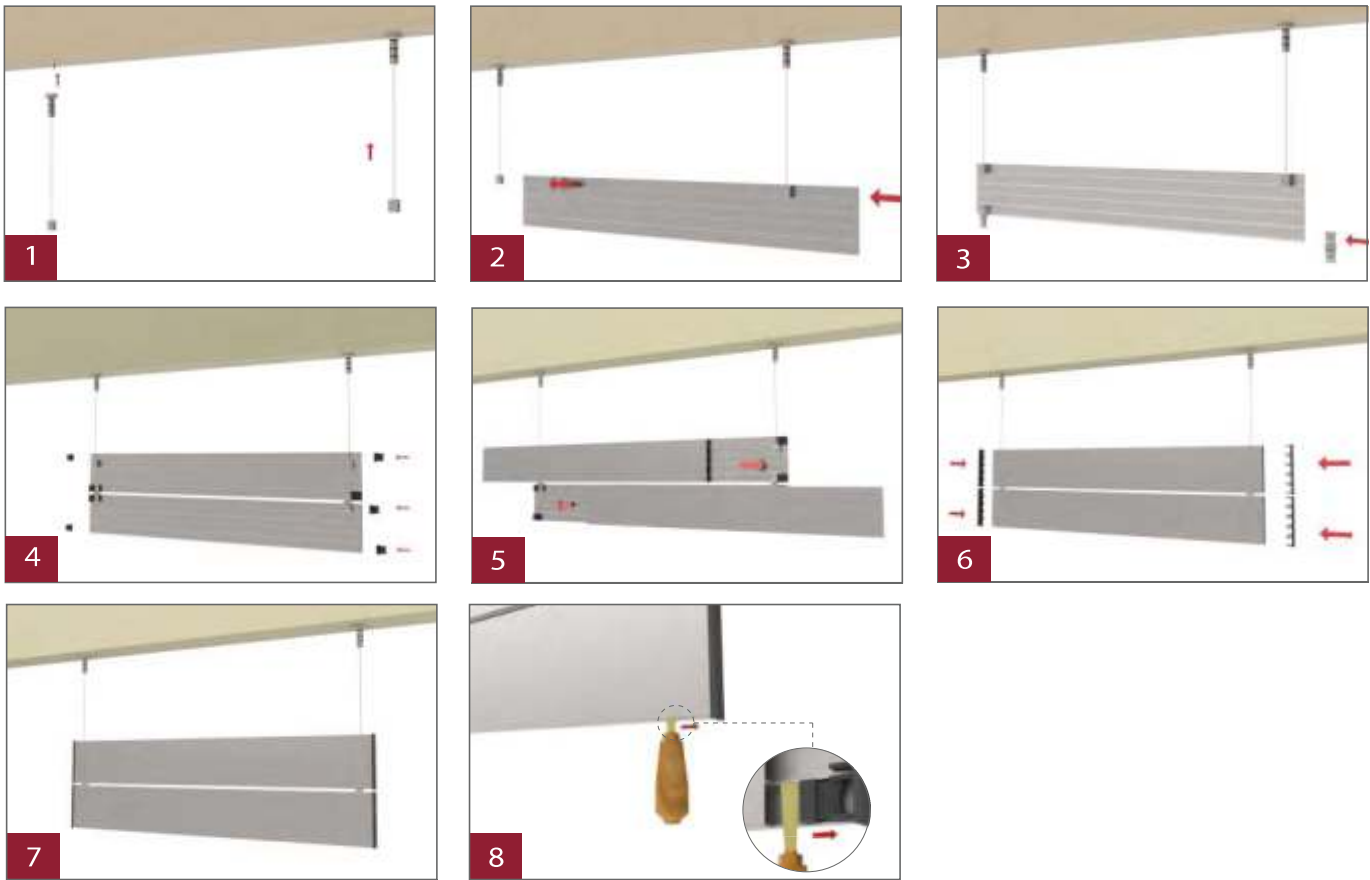


Suspension Sytem "Inox look".
Can possibly retaining clip for hanging several profiles one underneath the other.

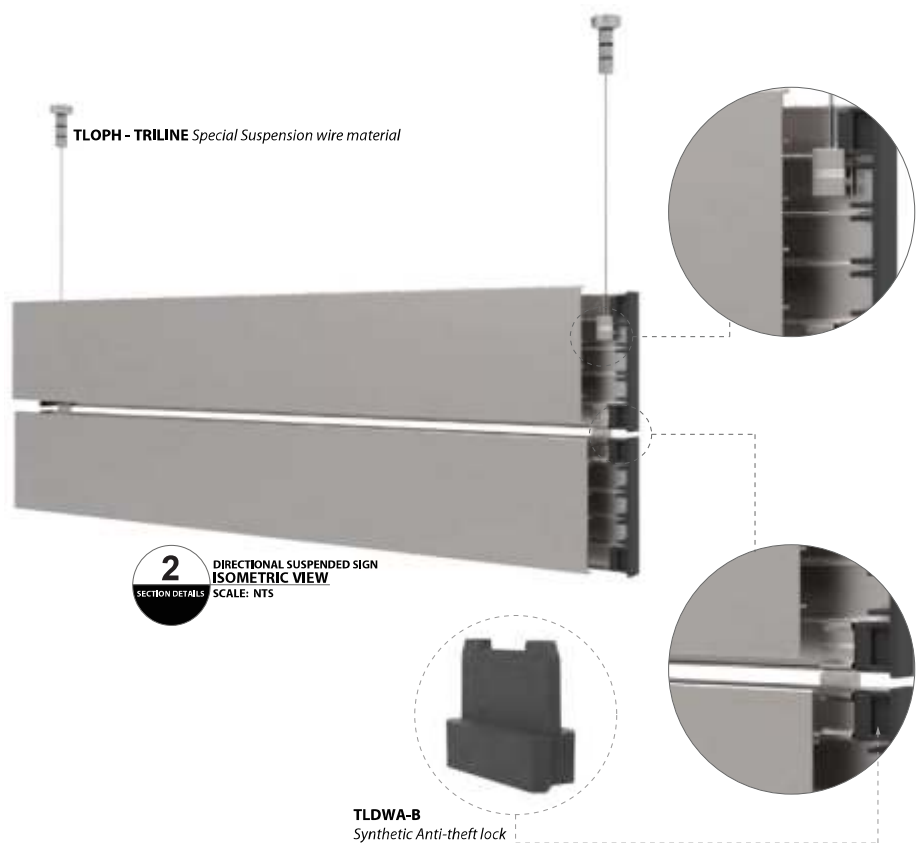


Directional Suspended Sign

Assembly and Section Details



■ APPLICATIONS
<ul style="list-style-type: none"> * VINYL LETTERING * DIGITAL PRINTING * ENGRAVING * SCREEN PRINTING
■ EASY ASSEMBLE
<ul style="list-style-type: none"> * SUSPENSION HANGING SYSTEM
■ SECTION DETAILS
<ul style="list-style-type: none"> * SINGLE END CAPS HAS 2 basic colors <ul style="list-style-type: none"> - Black - Grey * PROFILES have standard length of 3500mm - standard finishes <ul style="list-style-type: none"> - Mill - Silver Anodized



Directional Suspended Sign

With anti-theft feature and sign assembly without screws. - Exploded View

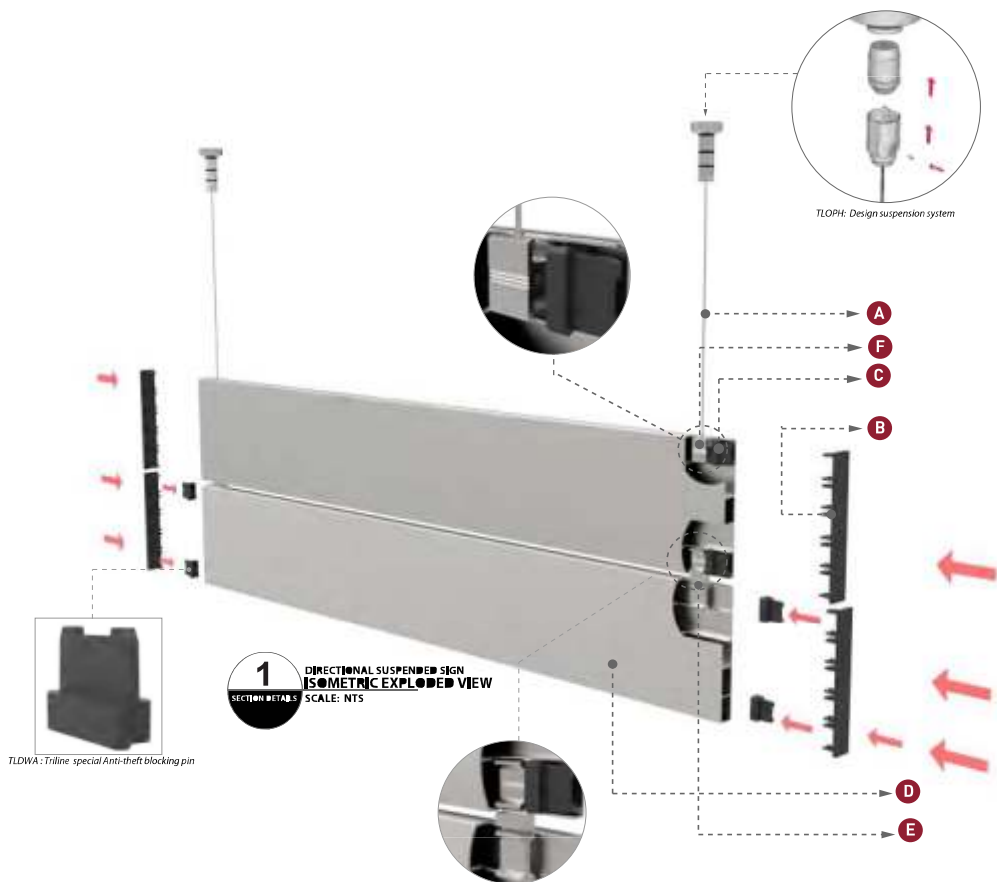
The suspension system complies with suspension safety regulations for public buildings. Connecting parts in aluminum to guarantee safety incase of fire & provide easy and smooth maintenance.

Double sided end-caps from 62mm to 248 mm. Suspension System "Inox Look".



COMPONENTS

- A** TLOPH
- B** TLD155-B
- C** TLDWA-B
- D** TL155-S
- E** TLDST-S
- F** TLEST-B

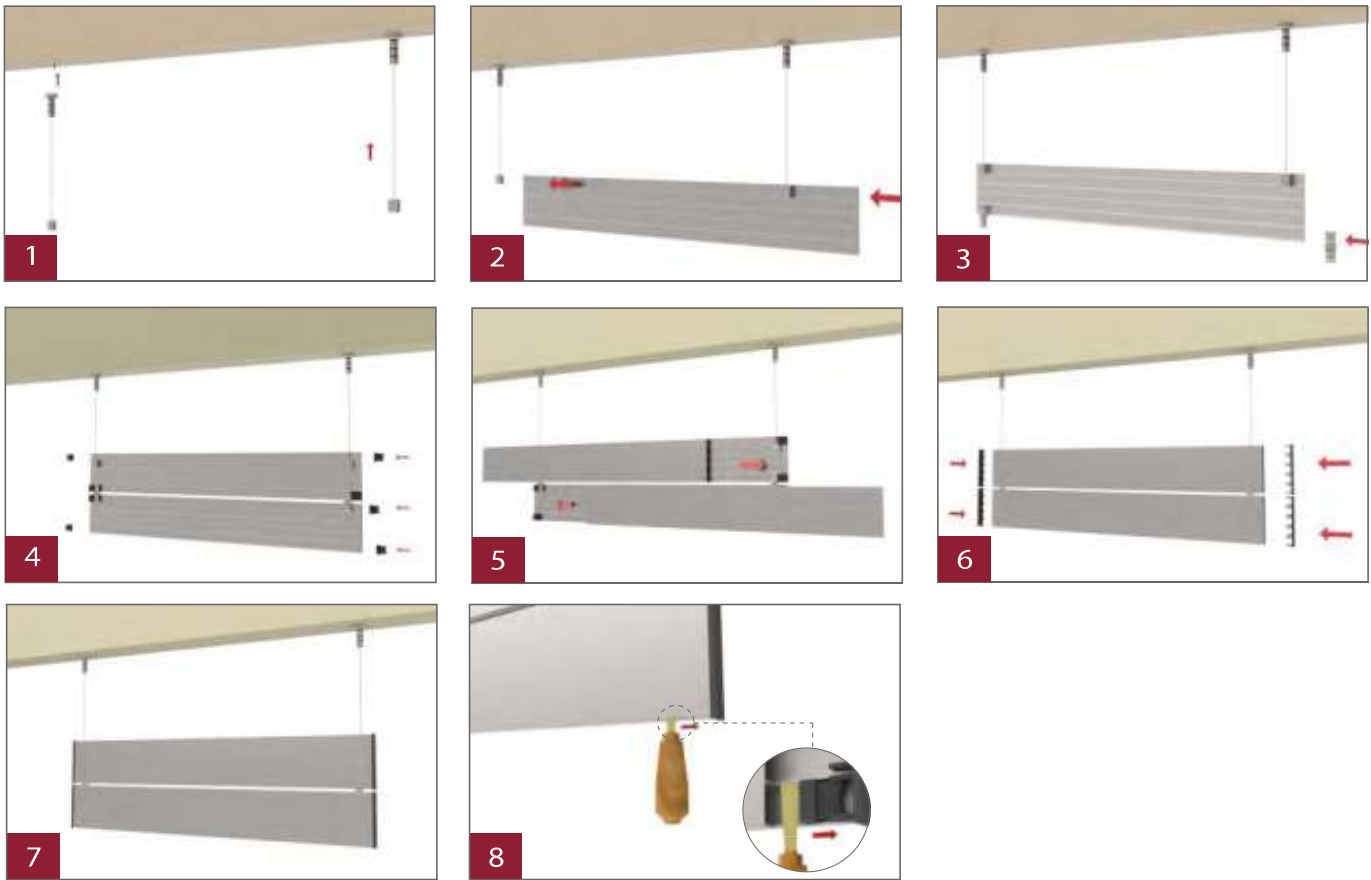


Suspension Sytem "Inox look".
Can possibly retaining clip for hanging several profiles one underneath the other.

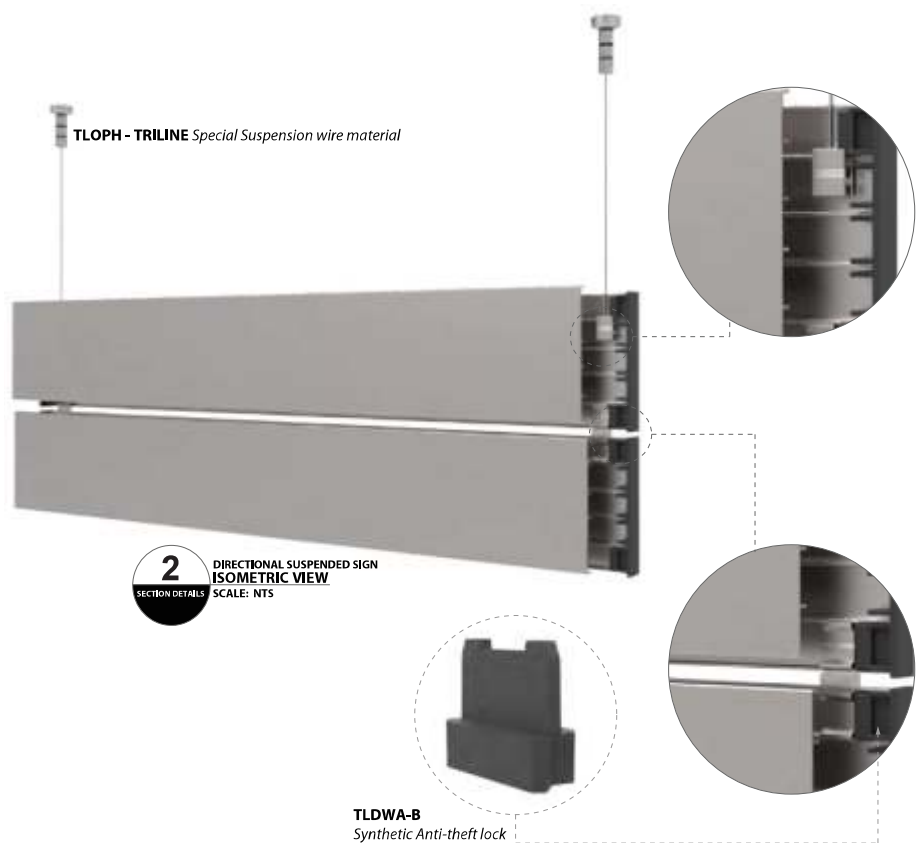


Directional Suspended Sign

Assembly and Section Details



- APPLICATIONS**
 - * VINYL LETTERING
 - * DIGITAL PRINTING
 - * ENGRAVING
 - * SCREEN PRINTING
- EASY ASSEMBLE**
 - * SUSPENSION HANGING SYSTEM
- SECTION DETAILS**
 - * SINGLE END CAPS HAS 2 basic colors
 - Black
 - Grey
 - * PROFILES have standard length of 3500mm - standard finishes
 - Mill
 - Silver Anodized



Flag Sign

With anti-theft features and sign assembly without screws.

Double sided end-caps from 62mm to 248 mm. - Exploded View

Anti-theft solution: Synthetic blocking pin that slides in the profiles and in the caps. Ideal for room-level identification, emergency signages and more..

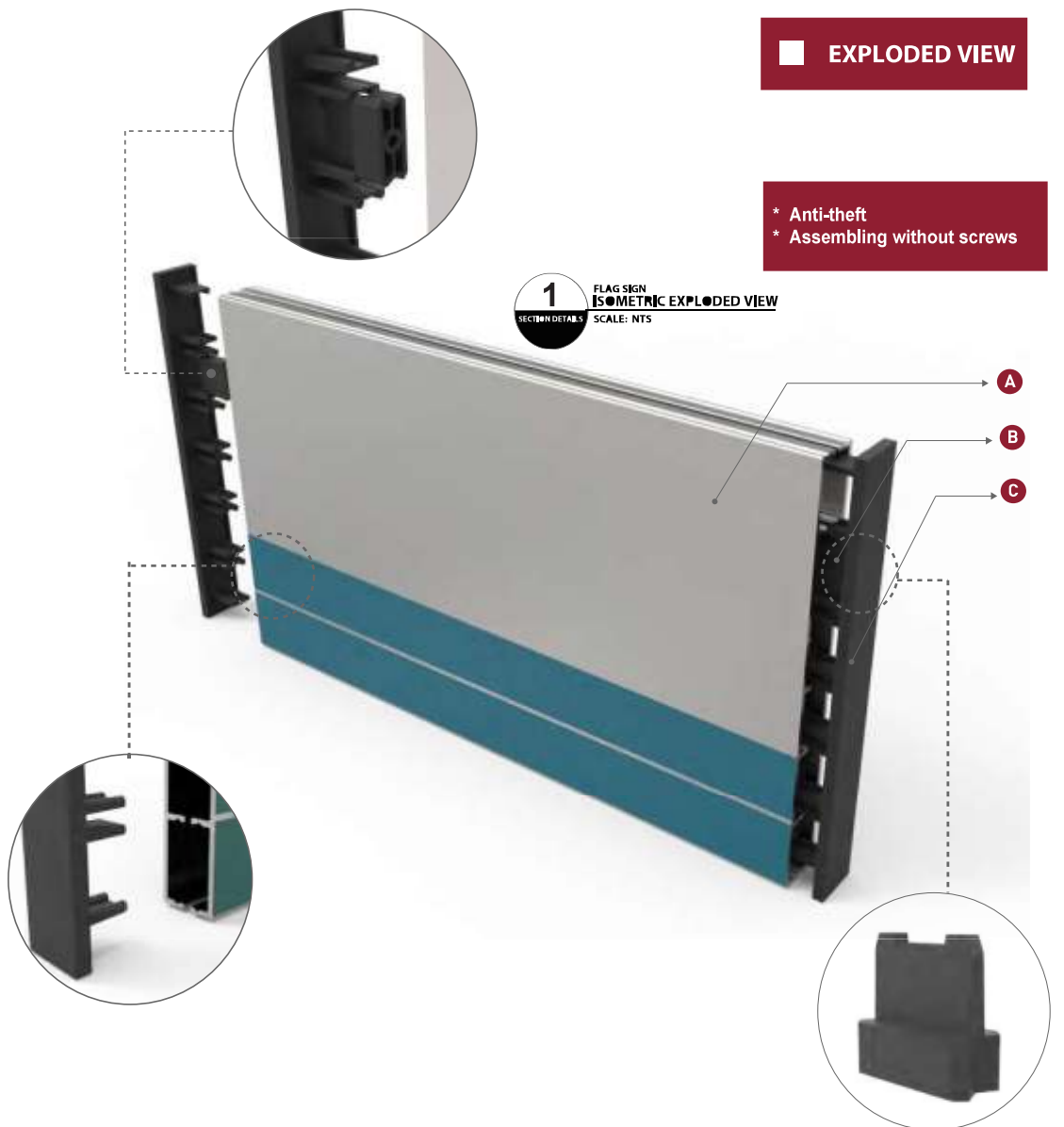


COMPONENTS

A
TL186-S

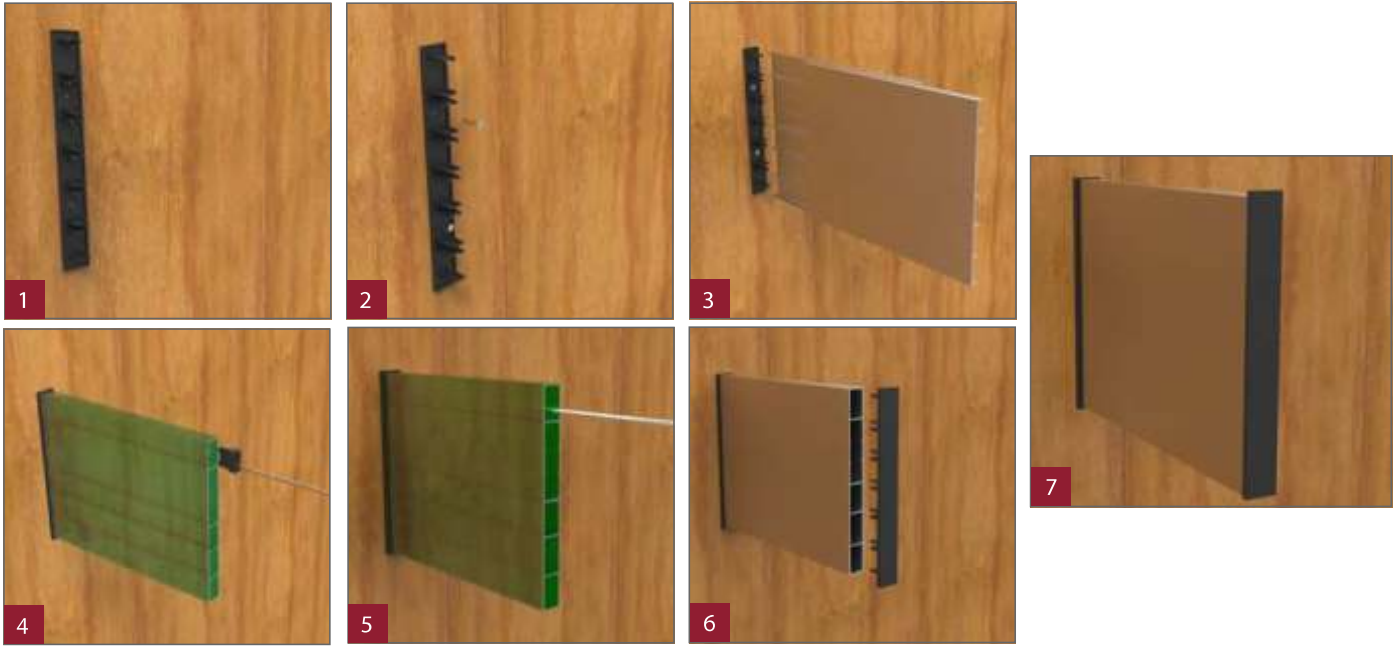
B
TLDWA-B

C
TLD62mm - 248mm

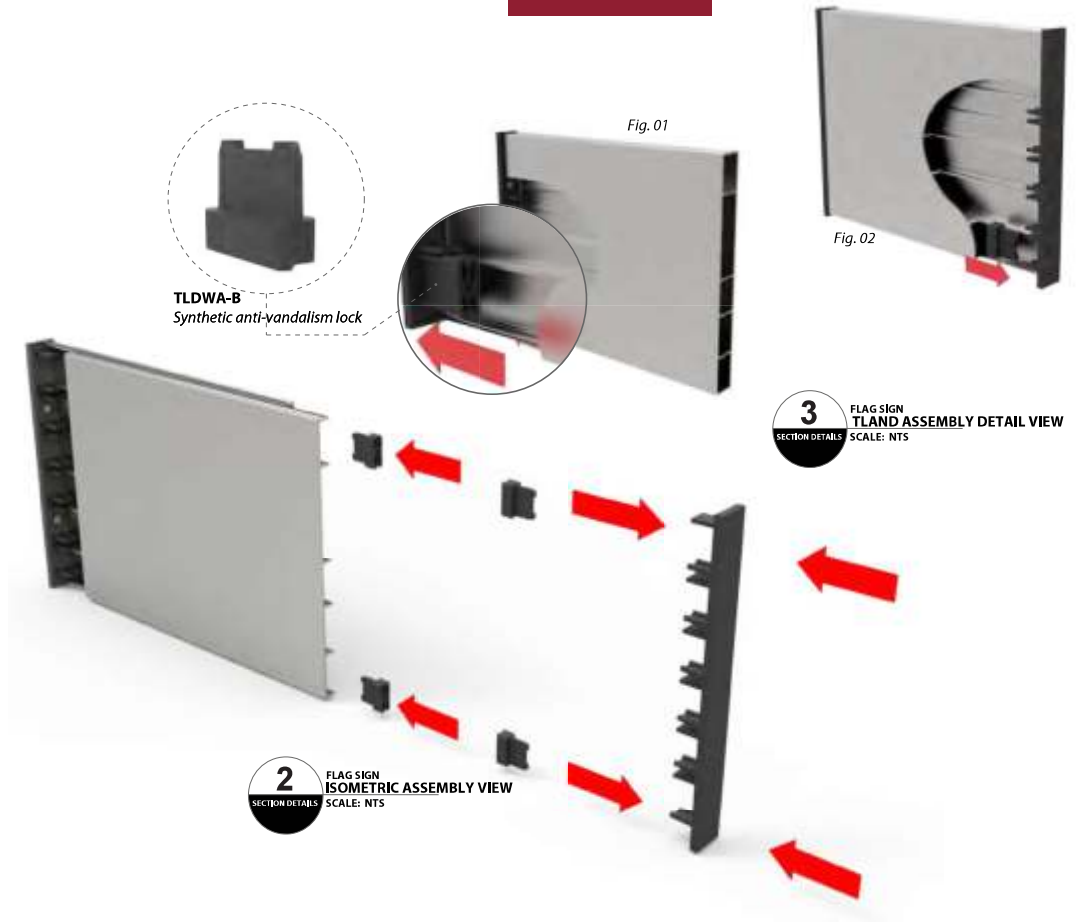


Flag Sign

Assembly and Section Details



EXPLODED VIEW



APPLICATIONS

- * VINYL LETTERING
- * DIGITAL PRINTING
- * ENGRAVING
- * SCREEN PRINTING

EASY ASSEMBLE

- * Flag Sign
- * Projected System

SECTION DETAILS

- * SINGLE END CAPS HAS 2 basic colors
 - Black
 - Grey
- * PROFILES have standard length of 3500mm - standard finishes
 - Mill
 - Silver Anodized

3 FLAG SIGN TLAND ASSEMBLY DETAIL VIEW
SCALE: NTS

2 FLAG SIGN ISOMETRIC ASSEMBLY VIEW
SCALE: NTS